



# PARTS CATALOG

Published 2010/10 (Oct.)

0CNP4-G93300

## Directions for the Parts Catalog.

- The parts stipulated in this Parts Catalog are not necessarily standard equipped parts.
- Parts may change without prior notice.
- The following is an example of the Parts Catalog format.

REF.	LEV.	PARTS NO.	DESCRIPTION	Q'TY						I	R
				(A)	(B)	(C)	(D)	(E)	(F)		
1	1	729595-51390	FUEL INJECTION PUMP	1	1	1	1	1			1
1-1	1	729595-51391	FUEL INJECTION PUMP	1	1	1	1	1		N	1
		(A=E00185) (B=E00200)									
3	2	26022-060162	SCREW M 6X 16	9	9	9	9	9			
3-1	2	26022-060162	SCREW M 6X 16	4	4	4	4	4		K	
		(A=E00156) (B=E00156) (C=E00156) (D=E00156) (E=E00156)									
4	2	129470-51040	CAMSHAFT	1	1	1	1	1			
5	2	122710-51050	BEARING, ROLLER	2	2	2	2	2			
6	2	129470-51060	RETAINER	1	1	1	1	1			

Remarks
(1) BOOST COMPEMSATOR TYPE. OPTIONAL PART, TO E00155,(4JH-DT, 4JH-DTZ

### ① Ref. No.

The Ref. No. listed may not be in accordance with the illustration Ref. No.

(Ex.) Illustration No.

List Ref No.

1

1

(Before change)

1-1

(After change)

For interchangeable symbols N, R and K, illustrations for new parts may be abbreviated.

### ② Lev. (Level)

Level indication

The numbers below indicate the level of relativity towards the main part.

1 ----- Main parts (Assembly parts)

2 ----- Sub component included in " 1 ".

3 ----- Sub component included in " 2 ".

Note) Parts that are not for sale are partially illustrated but not listed.

### ③ Interchangeability Mark

When a part change takes place, one of the following interchangeability symbols is indicated beside the part.

Symbol	Interchangeability	Contents note
N	Old $\begin{matrix} \leftarrow \text{Yes} \\ \text{No} \rightarrow \end{matrix}$ New	New Part is interchangeable for Old Part but Old Part is not interchangeable for New Part.
Q	Old $\begin{matrix} \leftarrow \text{No} \\ \text{Yes} \rightarrow \end{matrix}$ New	New Part is not interchangeable for Old Part but Old Part is interchangeable for New Part.
R	Old $\begin{matrix} \leftarrow \text{Yes} \\ \text{Yes} \rightarrow \end{matrix}$ New	New/ Old Parts are both interchangeable.
S	Old $\begin{matrix} \leftarrow \text{No} \\ \text{No} \rightarrow \end{matrix}$ New	New/ Old Parts are both not interchangeable.
W		Part newly added.
Z		Part discontinued.
F		Not interchangeable by a single part but interchangeable together with related parts.
K		Changes only for used parts quantities.

### ④ Effective Machine No.

When a part changes, the effective Machine No. will be indicated in the (A)-(F) column.

Product Symbol	Product No.	Product Symbol	Product No.
C	Clutch No. Compressor No.	F	Machine No. (Agricultural Equip.)
D	Drive No.	M	Machine No.
E	Engine No.		

Note 1) A date may follow the symbol. (Ex.) 1996.01

Note 2) "XXXXX" and "ZZZZZ" are for parts that could not be predicted or for engine models that could not be identified.

Note 3) (A=E00185) is the E (Engine Serial Number) for the column (A) model (in this case 4JH-DT) after the parts design change.

### ⑤ Remarks Mark

Figures or alphabets (symbols) are entered in the remarks column.

The comments (remarks) on parts that are indicated at the bottom of the illustration are the same symbols as those stated above.

# CONTENTS

MODEL : YSR1080C  
PC NO : 0CNP4-G93300

Fig.No.	GROUP NAME
<b>ENGINE RELATED SECTION</b>	
1.	ENGINE
2.	ENGINE BASE
3.	ENGINE CONTROL
<b>DRIVE TRAVEL SECTION</b>	
4.	TENSION CLUTCH
5.	ENGINE PULLEY
6.	TRAVEL BELT
7.	AUGER BELT
8.	TRAVEL TRANSMISSION
9.	REDUCTION GEAR
10.	AXLE
<b>CONTROL SECTION</b>	
11.	HANDLE
12.	CONTROL PANEL
13.	DEAD MAN LEVER
14.	CLUTCH
15.	CLUTCH LOCK
16.	CHANGE LEVER
17.	CHANGE FULCRUM
18.	CHANGE ROD
19.	CHUTE LEVER
20.	CHUTE HANDLE
21.	LIFTING
<b>CHASSIS COVER &amp; CRAWLER SECTION</b>	
22.	CHASSIS FRAME
23.	BELT COVER

Fig.No.	GROUP NAME
24.	GEAR COVER
25.	CRAWLER
26.	CRAWLER FRAME
27.	CRAWLER GUIDE
<b>ELECTRICAL PARTS SECTION</b>	
28.	BATTERY
29.	HARNESS
30.	SWITCH
31.	LAMP
<b>SNOW REMOVING SECTION</b>	
32.	AUGER FRAME
33.	AUGER PLATE
34.	AUGER COVER
35.	AUGER BOTTOM
36.	CHUTE
37.	DEFLECTOR
38.	CHANGE ROTATION
39.	GEAR CASE
40.	BLOWER SHAFT
41.	AUGER SHAFT
42.	GEAR CASE SUPPORT
43.	AUGER
44.	BLOWER
<b>LABELS &amp; ACCESSORIES SECTION</b>	
45.	LABEL
46.	LABEL (SAFETY)
47.	TOOLS

# CONTENTS

MODEL : YSR1080C  
PC NO : 0CNP4-G93300

Fig.No. GROUP NAME  
48. ACCESSORY

Fig.No. GROUP NAME

Fig.1. ENGINE

(A)=YSR1080C-S

(B)=

(C)=

(D)=

(E)=

(F)=

REF.	LEV.	PARTS NO.	DESCRIPTION	Q'TY						I	R
				(A)	(B)	(C)	(D)	(E)	(F)		
1	1	1N3850-00060	COVER, AUX	1							
2	1	1N3850-00150	GROMMET, 9	1							
3	1	1N3370-00200-1	BRACKET, ELECTRIC	1							
4	1	1N3021-00250	JOINT,WASTE OIL	1							
5	1	1N1723-00331	COVER	1							
6	1	1J3999-02010	WASHER 6	2							
7	1	1N1710-32600	CLAMP 8X70	1							
8	1	22190-120000	SEAL WASHER 12(BOLT)	1							
9	1	22217-060000	SPRING WASHER 6	1							
10	1	26016-060204	BOLT M 6X 20	2							
11	1	26018-060124	BOLT M 6X 12	2							
12	1	26018-060124	BOLT M 6X 12	1							
13	1	26023-040062	SCREW M 4X6	2							
14	1	26106-060122	BOLT M 6X 12 PLATED	1							
15	1	26116-060552	BOLT M 6X 55 PLATED	1							

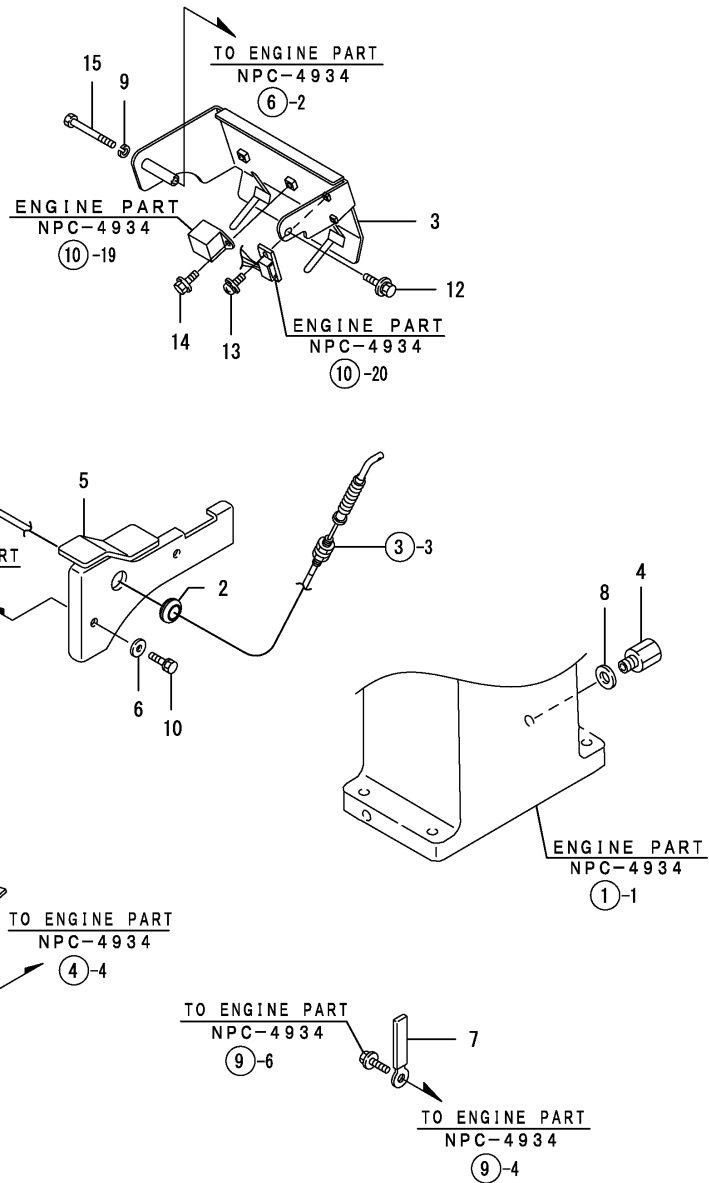


Fig.2. ENGINE BASE

0CNP4-G93300 2. ENGINE BASE

(A)=YSR1080C-S

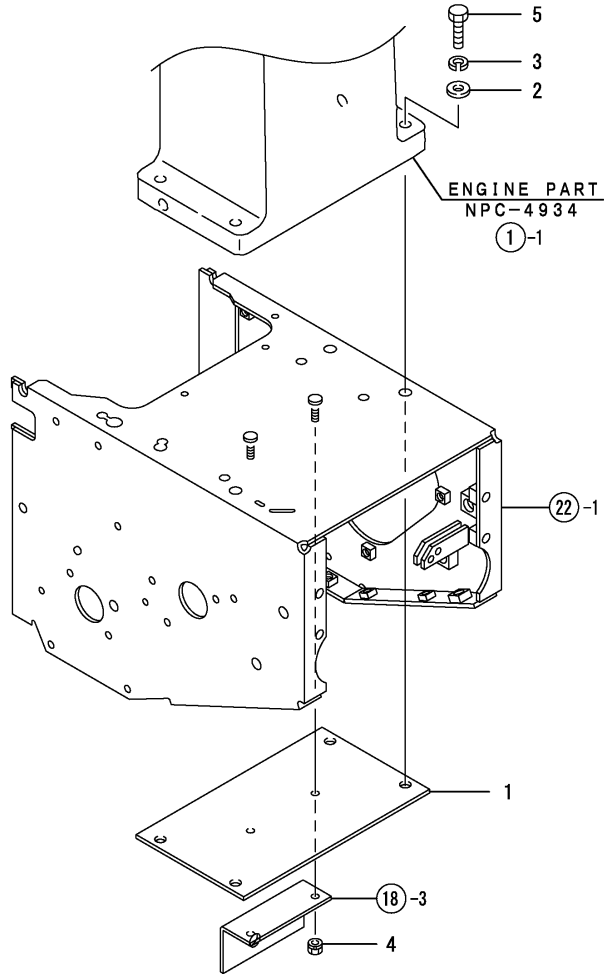
(B)=

(C)=

(D)=

(E)=

(F)=



REF.	LEV.	PARTS NO.	DESCRIPTION	Q'TY						I	R
				(A)	(B)	(C)	(D)	(E)	(F)		
1	1	1N3370-01000-1	PLATE, ENGINE CATCH	1							
2	1	22137-100000	WASHER 10,POLISHED	4							
3	1	22217-100000	SPRING WASHER 10	4							
4	1	26051-060002	NUT M 6	2							
5	1	26116-100402	BOLT 10X 40	4							

Fig.3. ENGINE CONTROL

(A)=YSR1080C-S

(B)=

(C)=

(D)=

(E)=

(F)=

REF.	LEV.	PARTS NO.	DESCRIPTION	QTY						I	R
				(A)	(B)	(C)	(D)	(E)	(F)		
1	1	198273-01230	KNOB;ACCEL LEVER	1							
2	1	1N3850-02100	LEVER, ACCEL	1							
3	1	1N3920-02150	WIRE ASSY, ACCEL	1							
4	1	1N3400-02200-1	SEAT,FO COCK	1							
5	1	1N3850-02200	STOPPER, LEVER	1							
6	1	1N3910-02250	WIRE, CHOKE	1							
7	1	195385-35870	SPRING	2							
8	1	22137-060000	WASHER 6, POLISHED	1							
9	1	22137-060000	WASHER 6, POLISHED	1							
10	1	22137-100000	WASHER 10,POLISHED	2							
11	1	22417-200100	COTTER PIN 2.0X10	1							
12	1	26051-060002	NUT M 6	1							
13	1	26051-060002	NUT M 6	1							
14	1	26117-060162	BOLT M 6X 16 PLATED	1							
15	1	26717-100002	NUT M10	2							

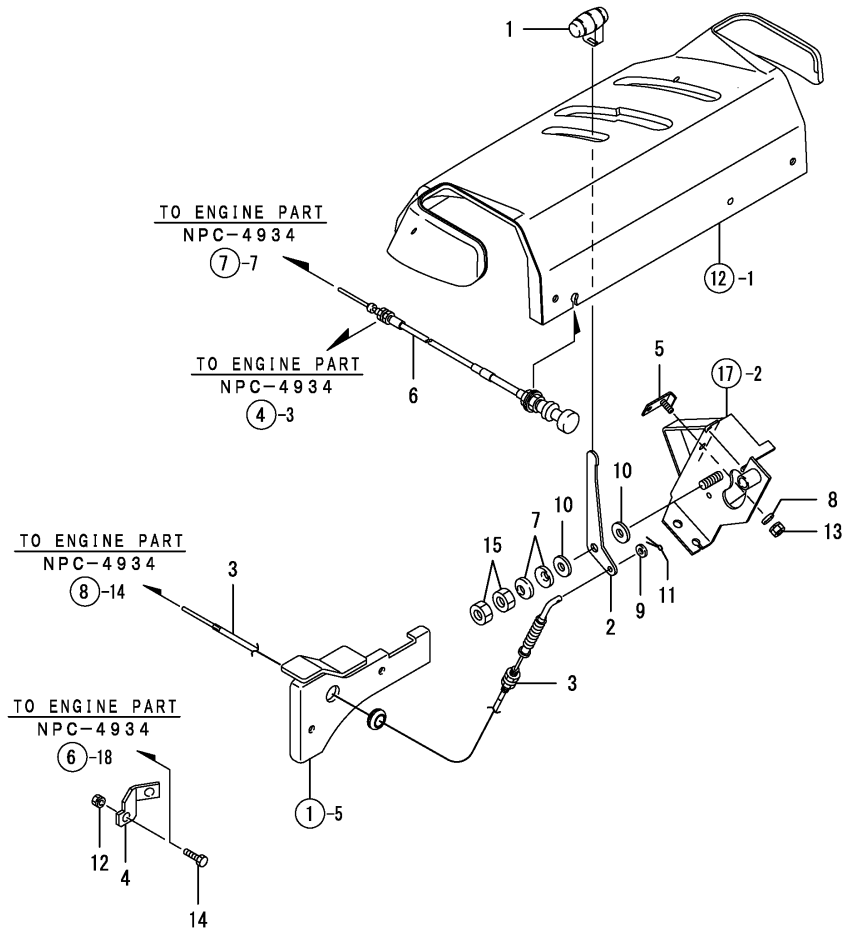
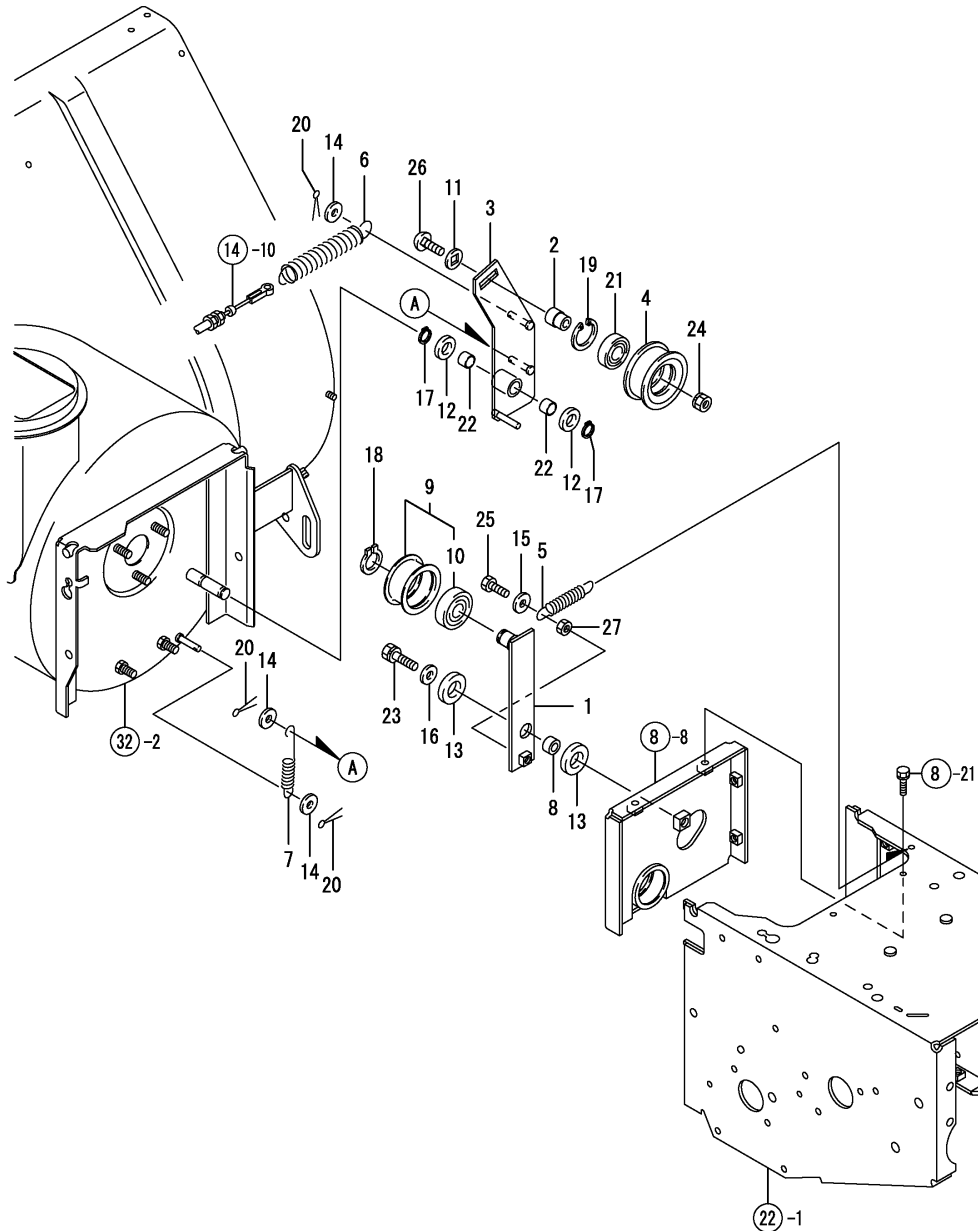


Fig.4. TENSION CLUTCH



OCNP4-G93300 4. TENSION CLUTCH

(A)=YSR1080C-S

(B)=

(C)=

(D)=

(E)=

(F)=

REF.	LEV.	PARTS NO.	DESCRIPTION	QTY						I	R
				(A)	(B)	(C)	(D)	(E)	(F)		
1	1	1N3850-11000	TENSION, TRAVEL	1							
2	1	1N3370-11050	SHAFT	1							
3	1	1N3850-11100	TENSION, WORK	1							
4	1	1N3021-11240-1	PULLEY, 63 TENSION	1							
5	1	1N3850-11250	SPRING, 13X80	1							
6	1	1N3370-11271	SPRING, 16X134	1							
7	1	1N3850-11270	SPRING, 15X75	1							
8	1	1N3850-11300	COLLAR, 9X16X9.2	1							
9	1	1E7030-51302-1	ROLLER ASSY, TENSION	1							
10	2	24104-063020	BALL BEARING	1							
11	1	1N3320-71290	WASHER	1							
12	1	22137-120000	WASHER 12,POLISHED	2							
13	1	22137-160000	WASHER 16,POLISHED	2							
14	1	22157-060000	WASHER 6	3							
15	1	22157-060000	WASHER 6	1							
16	1	22157-080000	WASHER 8	1							
17	1	22242-000120	CIRCLIP 12	2							
18	1	22242-000150	CIRCLIP 15	1							
19	1	22252-000350	CIRCLIP 35	1							
20	1	22417-160100	COTTER PIN	3							
21	1	24107-062024	BALL BEARING	1							
22	1	24550-012100	BUSH 12X10	2							
23	1	26016-080252	BOLT M 8X 25	1							
24	1	26051-080002	NUT M 8	1							
25	1	26116-060252	BOLT 6X25	1							
26	1	26487-080352	BOLT 8*35	1							
27	1	26717-060002	NUT M 6	1							



Fig.5. ENGINE PULLEY

0CNP4-G93300 5. ENGINE PULLEY

(A)=YSR1080C-S  
(B)=  
(C)=

(D)=  
(E)=  
(F)=

REF.	LEV.	PARTS NO.	DESCRIPTION	Q'TY						I	R
				(A)	(B)	(C)	(D)	(E)	(F)		
1	1	1N3850-12000	PULLEY, ENGINE	1							
2	1	1N3850-12100	RETAINER, BELT A	1							
3	1	1N3850-12150	RETAINER, BELT B	1							
4	1	26018-080202	BOLT M 8X 20	3							

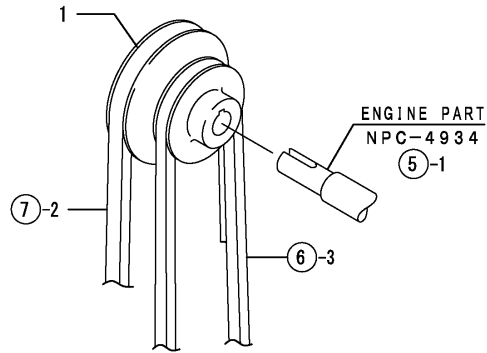
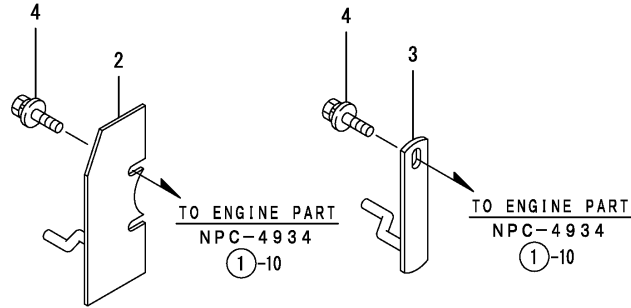


Fig.6. TRAVEL BELT

0CNP4-G93300 6. TRAVEL BELT

(A)=YSR1080C-S  
(B)=  
(C)=

(D)=  
(E)=  
(F)=

REF.	LEV.	PARTS NO.	DESCRIPTION	QTY						I	R
				(A)	(B)	(C)	(D)	(E)	(F)		
1	1	1N3840-12050	PULLEY, 90A	1							
2	1	22242-000250	CIRCLIP 25S	1							
3	1	25122-002901	V-BELT	1							

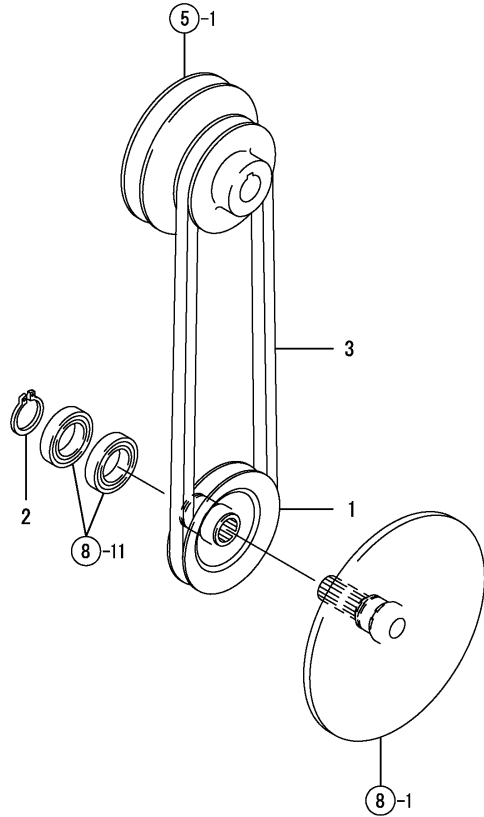
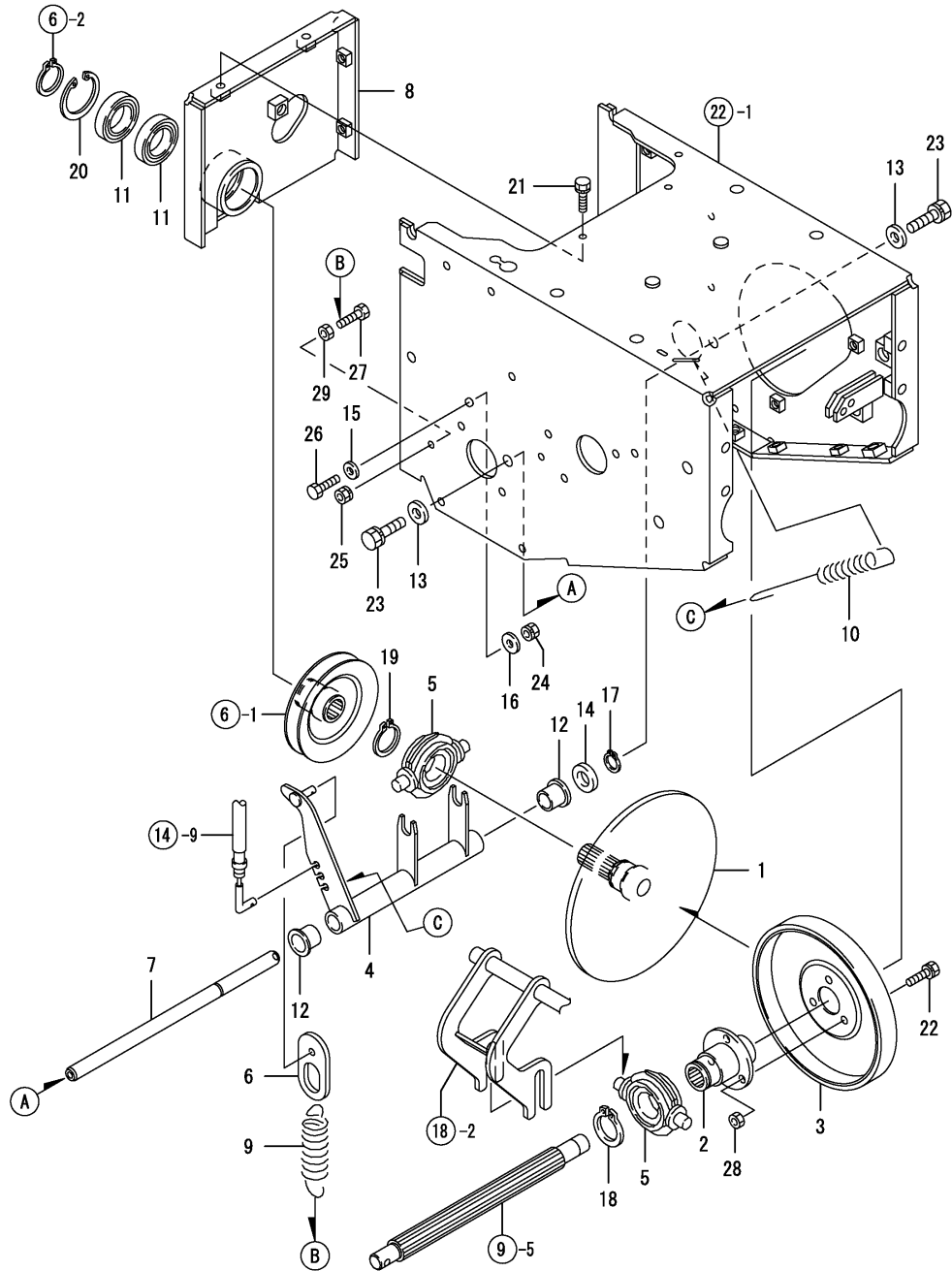




Fig.8. TRAVEL TRANSMISSION



OCNP4-G93300 8. TRAVEL TRANSMISSION

(A)=YSR1080C-S

(B)=

(C)=

(D)=

(E)=

(F)=

REF.	LEV.	PARTS NO.	DESCRIPTION	Q'TY						I	R
				(A)	(B)	(C)	(D)	(E)	(F)		
1	1	1N3840-21000	PLATE, CHANGE	1							
2	1	1N3840-21100	SEAT, MOUNTING	1							
3	1	1N1570-21200	PLATE, FRICTION	1							
4	1	1N3840-21200	BEARING, PLATE	1							
5	1	1N1570-21300	SLIDER, CLUTCH	2							
6	1	1N3330-21300	PLATE, CLUTCH	1							
7	1	1N3400-21300	SHAFT, PLATE FULCRUM	1							
8	1	1N3850-21300	REST, BEARING PLATE	1							
9	1	1N3330-21400	SPRING, 23X89	1							
10	1	1N3840-21410	SPRING, 13X200	1							
11	1	1N3840-21450	BEARING, 6905	2							
12	1	1S6000-61220	BUSH, COLLAR	2							
13	1	22117-080000	WASHER 8	2							
14	1	22117-120000	WASHER 12	1							
15	1	22137-060000	WASHER 6, POLISHED	1							
16	1	22157-060000	WASHER 6	1							
17	1	22242-000120	CIRCLIP 12	1							
18	1	22242-000250	CIRCLIP 25S	1							
19	1	22242-000250	CIRCLIP 25S	1							
20	1	22252-000420	CIRCLIP 42	1							
21	1	26016-060124	BOLT 6X12 W/L.W.	4							
22	1	26016-060164	BOLT 6X16 W/L.W.	3							
23	1	26016-080164	BOLT M 8X 16	2							
24	1	26051-060002	NUT M 6	1							
25	1	26051-060002	NUT M 6	1							
26	1	26116-060254	BOLT M 6X 25 PLATED	1							
27	1	26116-060304	BOLT M 6X 30 PLATED	1							
28	1	26717-060002	NUT M 6	3							
29	1	26717-060002	NUT M 6	1							

Fig.9. REDUCTION GEAR

0CNP4-G93300 9. REDUCTION GEAR

(A)=YSR1080C-S

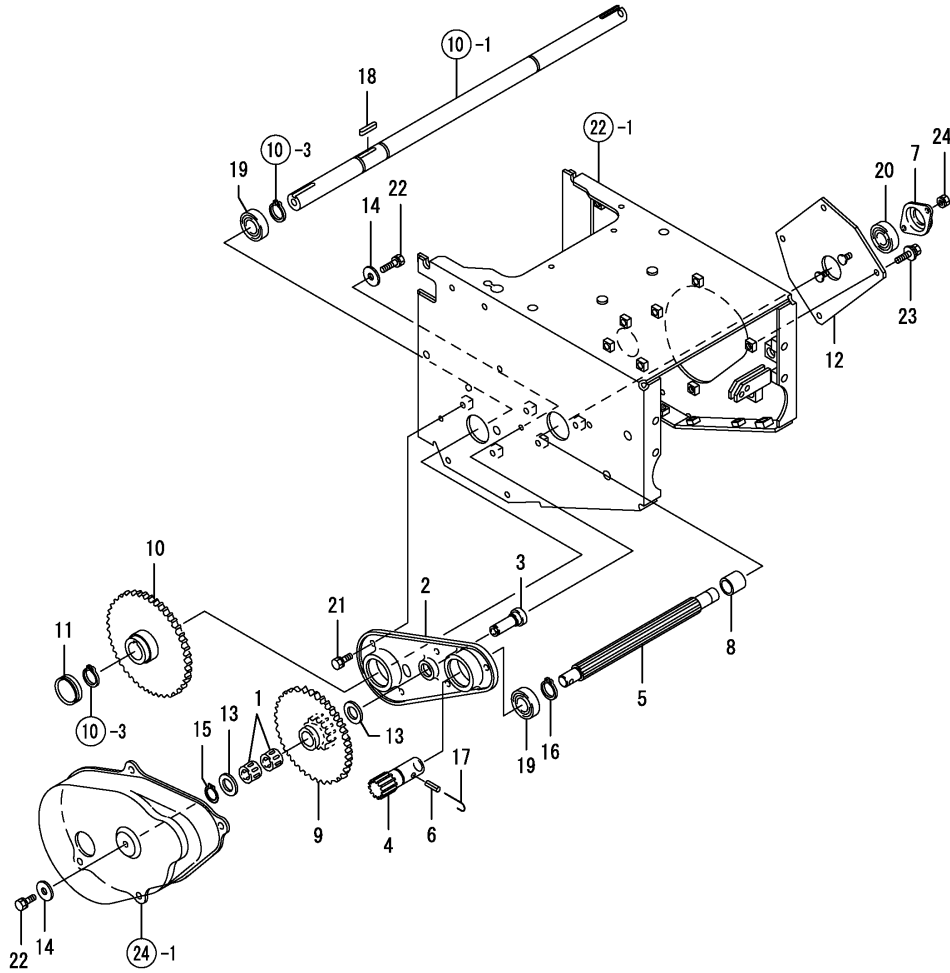
(B)=

(C)=

(D)=

(E)=

(F)=



REF.	LEV.	PARTS NO.	DESCRIPTION	QTY						I	R
				(A)	(B)	(C)	(D)	(E)	(F)		
1	1	1N1570-21600	BEARING	2							
2	1	1N3390-23000	BEARING, GEAR	1							
3	1	1N3300-23050	SHAFT,COUNTER	1							
4	1	1N3840-23100	GEAR, PINION	1							
5	1	1N3850-23110	SHAFT, SLIDE	1							
6	1	1N3300-23120	PIN, SPRING 6AX18	1							
7	1	1F1150-23140	JOINT	1							
8	1	1N3400-23180	COLLAR,16X21X20	1							
9	1	1N3310-23200	GEAR,COUNTER	1							
10	1	1N3390-23300	GEAR, AXLE 84	1							
11	1	1N3390-23400	SEAL, GREASE 28A	1							
12	1	1N3840-23400	SUPPORT, SHAFT	1							
13	1	22117-120000	WASHER 12	2							
14	1	22157-060000	WASHER 6	2							
15	1	22242-000120	CIRCLIP 12	1							
16	1	22242-000200	CIRCLIP 20	1							
17	1	22451-160000	WIRE 1.6	1							
18	1	22512-050260	KEY 5* 26	1							
19	1	24104-060044	BALL BEARING	2							
20	1	24104-062024	BALL BEARING	1							
21	1	26016-060122	BOLT M 6X 12	5							
22	1	26016-060162	BOLT M 6X 16	2							
23	1	26018-060124	BOLT M 6X 12	4							
24	1	26051-060002	NUT M 6	2							



Fig.11. HANDLE

(A)=YSR1080C-S

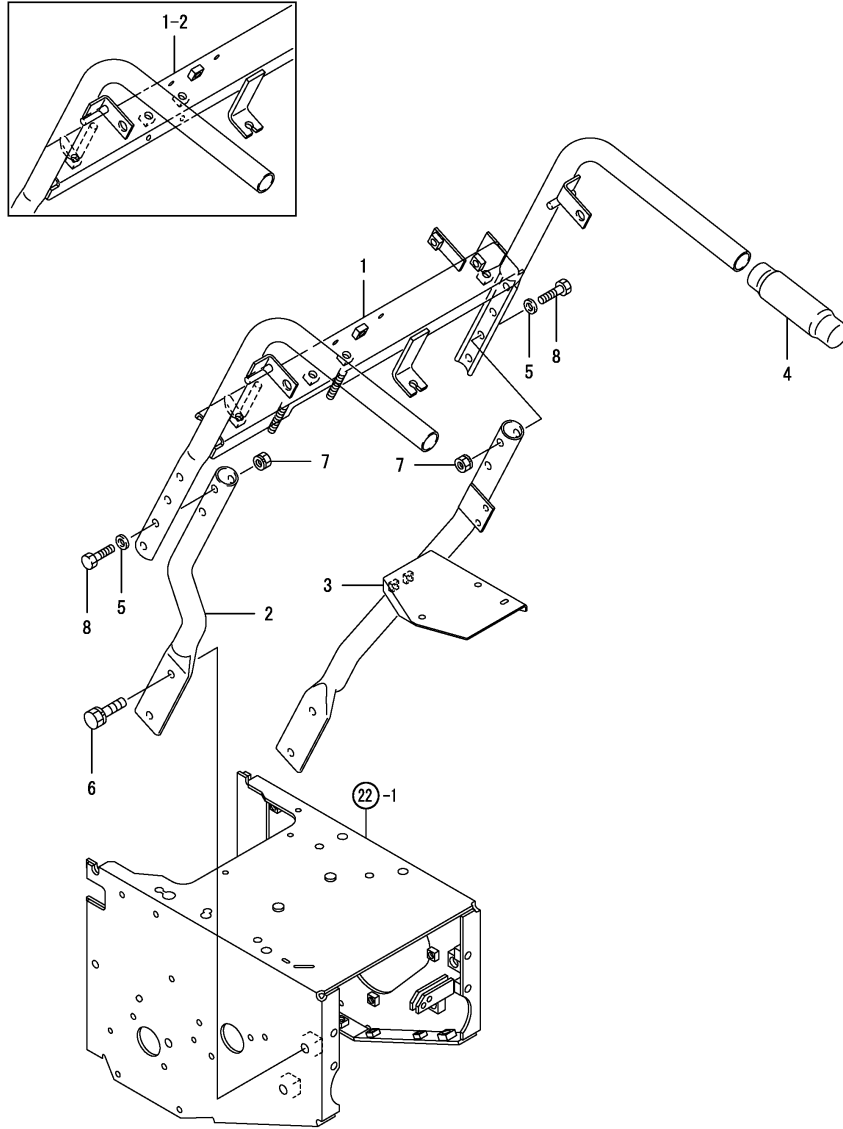
(B)=

(C)=

(D)=

(E)=

(F)=



REF.	LEV.	PARTS NO.	DESCRIPTION	QTY						I	R
				(A)	(B)	(C)	(D)	(E)	(F)		
1	1	1N3850-30000	FRAME, HANDLE	1							
1-1	1	1N3850-30001	FRAME, HANDLE	1							N
(A=F010101)											
1-2	1	1N3850-30002	FRAME, HANDLE	1							S 1
(A=F010174)											
2	1	1N3850-30100	PIPE, HANDLE	1							
3	1	1N3850-30150	FRAME, R	1							
4	1	1N1710-82140	GRIP BK-8,HANDLE	2							
5	1	22137-080000	WASHER 8, POLISHED	4							
6	1	26016-100202	BOLT	4							
7	1	26051-080002	NUT M 8	4							
8	1	26117-080402	BOLT M 8X 40	4							

Remarks

(1)INTERCHANGEABLE BY SIMULTANEOUS REPLACEMENT WITH FIG.15 REF.NO.1-1.

N:Old  $\xrightarrow{\text{Yes}}$  New, Q:Old  $\xrightarrow{\text{No}}$  New, R:Old  $\xrightarrow{\text{Yes}}$  New, S:Old  $\xrightarrow{\text{No}}$  New, W:Add, Z:Discontinued, F:Interchangeable by set, K:Q'ty Change

Fig.12. CONTROL PANEL

(A)=YSR1080C-S

(B)=

(C)=

(D)=

(E)=

(F)=

REF.	LEV.	PARTS NO.	DESCRIPTION	Q'TY						I	R
				(A)	(B)	(C)	(D)	(E)	(F)		
1	1	7N3910-30310	PANEL, CONTROL PL	1							
2	1	1N3850-30350	STAY, L	1							
3	1	1N3850-30400	STAY, R	1							
4	1	26018-060164	BOLT M 6X 16	4							
5	1	26018-080164	BOLT M 8X 16	2							

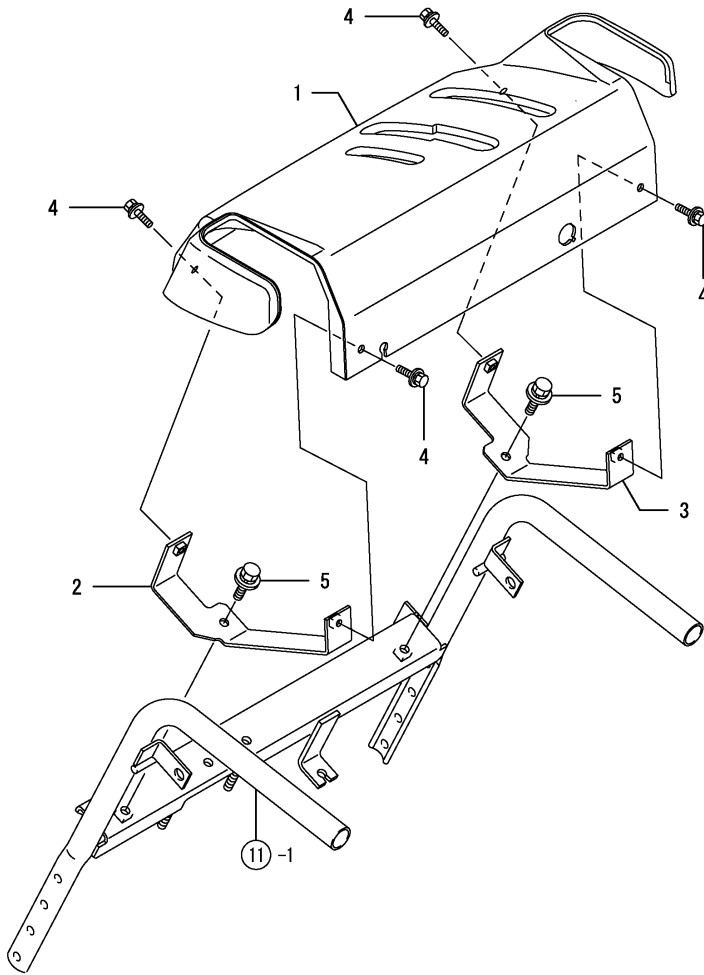




Fig.13. DEAD MAN LEVER

(A)=YSR1080C-S  
(B)=  
(C)=

(D)=  
(E)=  
(F)=

REF.	LEV.	PARTS NO.	DESCRIPTION	Q'TY						I	R
				(A)	(B)	(C)	(D)	(E)	(F)		
1	1	1N3850-31000	LEVER, DEADMAN L	1							
2	1	1N3850-31100	LEVER, DEADMAN R	1							
3	1	22137-080000	WASHER 8, POLISHED	2							
4	1	26016-080164	BOLT M 8X 16	2							

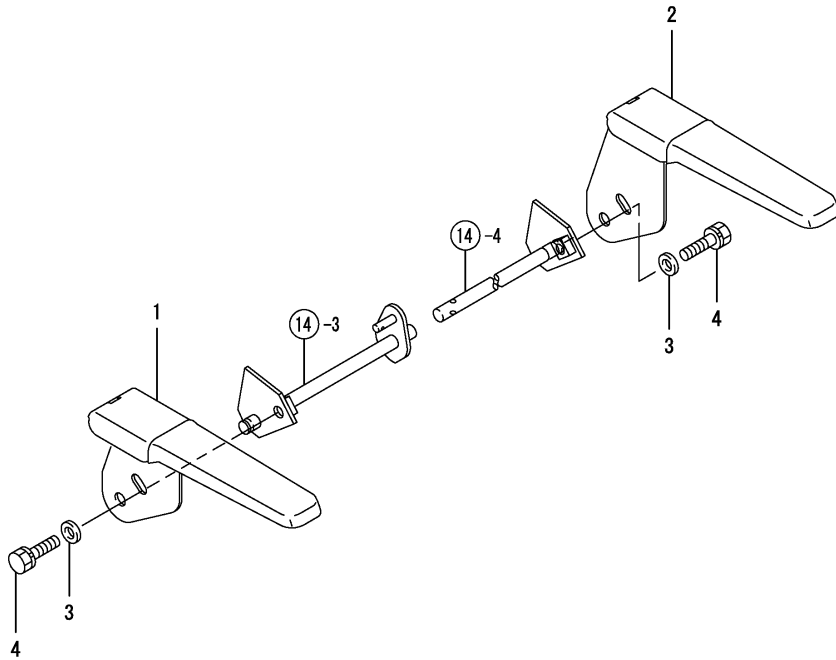
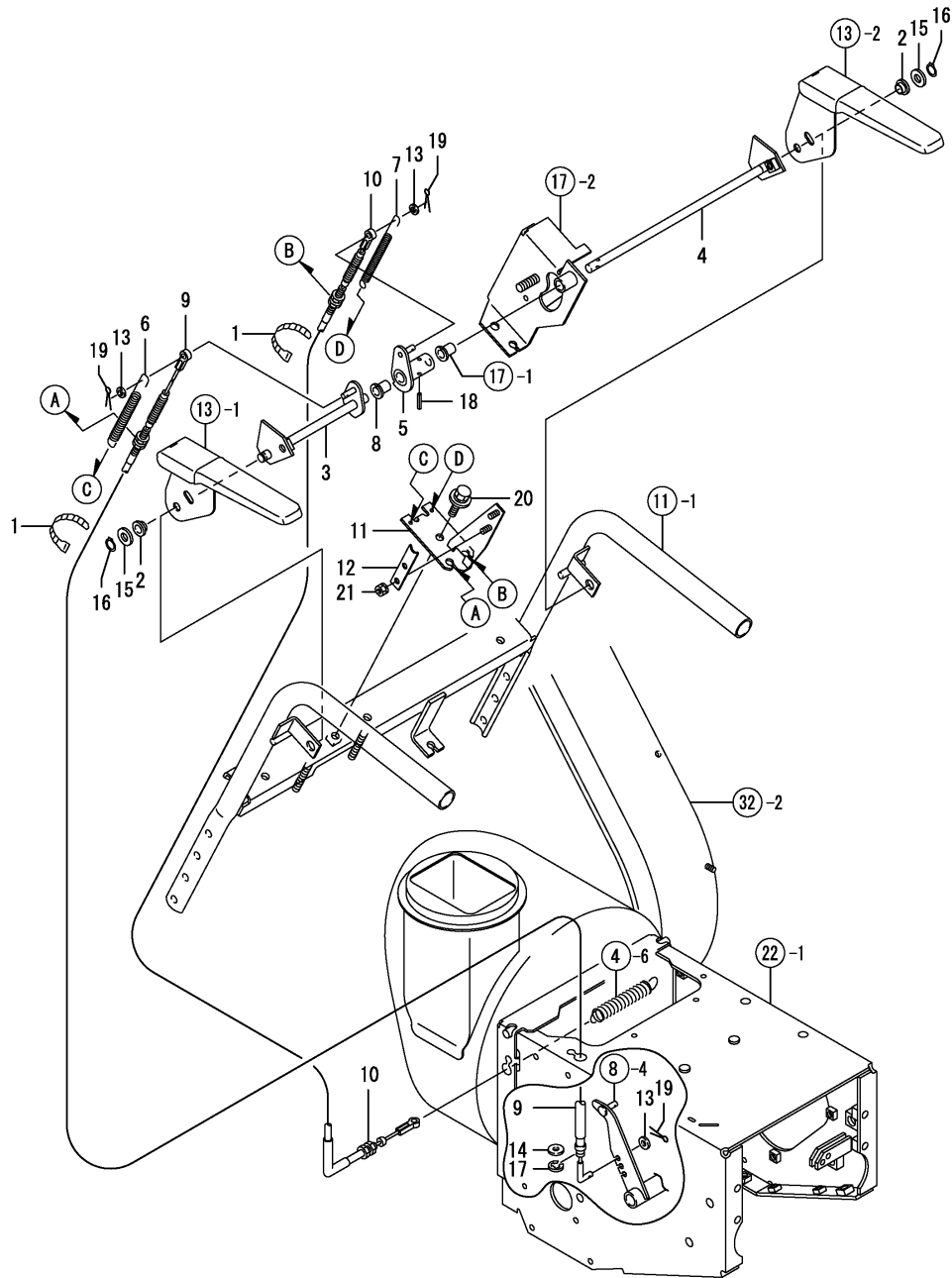


Fig.14. CLUTCH



(A)=YSR1080C-S

(B)=

(C)=

(D)=

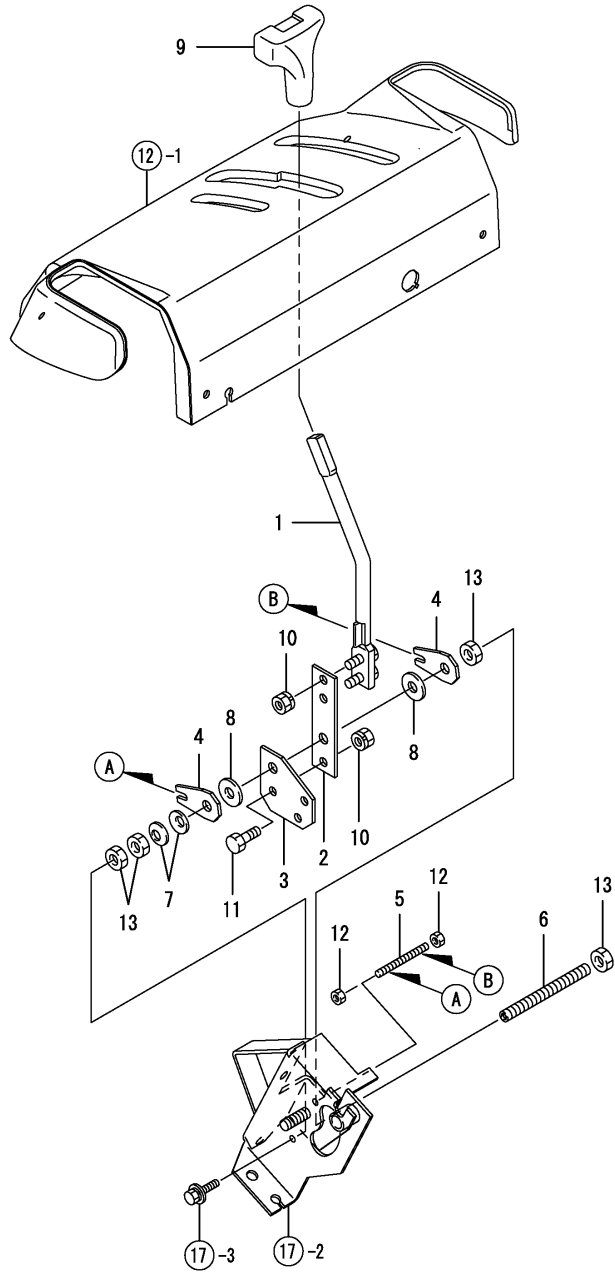
(E)=

(F)=

REF.	LEV.	PARTS NO.	DESCRIPTION	QTY						I	R
				(A)	(B)	(C)	(D)	(E)	(F)		
1	1	1J3999-07000	BAND 100B	3							
2	1	1N3440-21300	BUSH, 10X3	2							
3	1	1N3850-31200	SHAFT, CLUTCH	1							
4	1	1N3850-31300	SHAFT, CLUTCH	1							
5	1	1N3850-31400	CLUTCH, WORK	1							
6	1	1N3850-31450	SPRING, 11X140	1							
7	1	1N3850-31460	SPRING, 9X140	1							
8	1	1N3021-31580	BUSH 10X15,FLANGED	1							
9	1	1N3910-31600	WIRE, TRAVELING	1							
10	1	1N3850-31650	WIRE, WORK	1							
11	1	1N3910-31700	MOUNT, WIRE	1							
12	1	1N3910-31750	PLATE,	1							
13	1	22137-060000	WASHER 6, POLISHED	3							
14	1	22137-080000	WASHER 8, POLISHED	1							
15	1	22137-100000	WASHER 10,POLISHED	2							
16	1	22242-000100	CIRCLIP 10	2							
17	1	22272-000070	CIRCLIP E- 7	1							
18	1	22351-040020	SPRING PIN 4X20	1							
19	1	22417-200100	COTTER PIN 2.0X10	3							
20	1	26018-080204	BOLT M 8X 20	1							
21	1	26051-060002	NUT M 6	2							



Fig.16. CHANGE LEVER



0CNP4-G93300 16. CHANGE LEVER

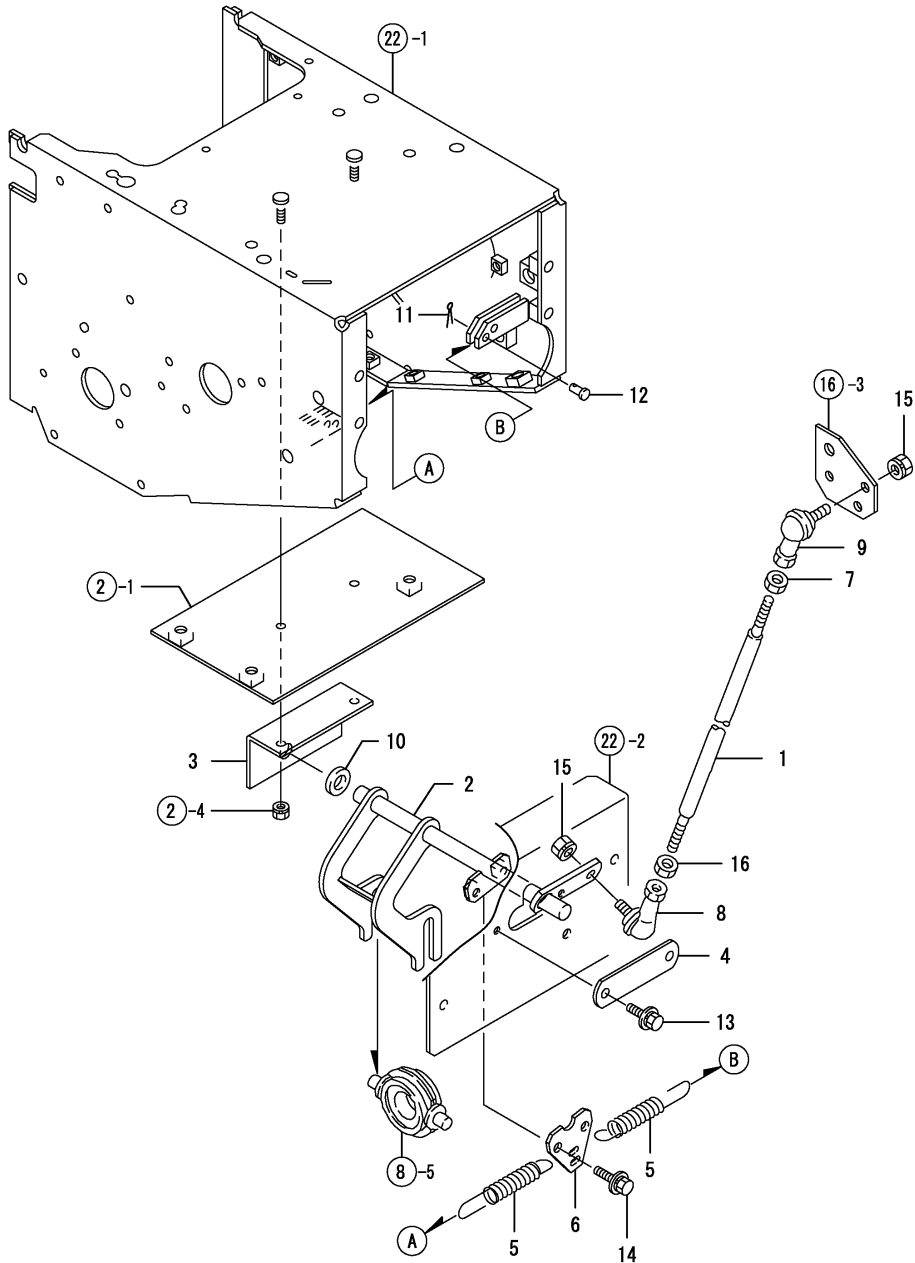
(A)=YSR1080C-S  
(B)=  
(C)=

(D)=  
(E)=  
(F)=

REF.	LEV.	PARTS NO.	DESCRIPTION	QTY						I	R
				(A)	(B)	(C)	(D)	(E)	(F)		
1	1	1N3840-32000	LEVER, CHANGE	1							
2	1	1N3850-32050	SPRING, LEVER	1							
3	1	1N3850-32100	PLATE, MOUNTING	1							
4	1	1N3850-32150	WASHER, STOPPER	2							
5	1	1N3850-32160	SCREW, LOCK	1							
6	1	1N3850-32200	FULCRUM, LEVER	1							
7	1	195385-35870	SPRING	2							
8	1	1C7100-48250	PLATE, FRICTION	2							
9	1	1E9170-64750	GRIP 13,SHIFT LEVER	1							
10	1	26051-080002	NUT M 8	3							
11	1	26117-080162	BOLT M 8X 16 PLATED	1							
12	1	26717-060002	NUT M 6	2							
13	1	26717-100002	NUT M10	4							



Fig.18. CHANGE ROD



(A)=YSR1080C-S

(B)=

(C)=

(D)=

(E)=

(F)=

REF.	LEV.	PARTS NO.	DESCRIPTION	QTY						I	R
				(A)	(B)	(C)	(D)	(E)	(F)		
1	1	1N3910-32210	ROD, CHANGE	1							
2	1	1N3840-32300	ARM, SLIDE	1							
I 2-1	1	1N3840-32301	ARM, SLIDE	1							N
(A=F010174)											
3	1	1N3400-32350-1	BEARING,SLIDE ARM	1							
4	1	1N3300-32500-1	GUIDE,ARM,SLIDE	1							
5	1	1N3840-32600	SPRING, 14X98	2							
6	1	1N3840-32650	ARM, SPRING	1							
7	1	1N1570-32950	NUT 8	1							
8	1	1E4760-43090	BALL RBL8,LINK	1							
9	1	1E6740-64200	BALL BL8DL, LINK	1							
10	1	22117-120000	WASHER 12	1							
11	1	22417-160100	COTTER PIN	2							
12	1	22487-060120	PIN,FLAT HEAD 6X 12	2							
13	1	26018-060162	BOLT M6X16	2							
14	1	26018-060162	BOLT M6X16	2							
15	1	26051-080002	NUT M 8	2							
16	1	26717-080002	NUT 8	1							



Fig.20. CHUTE HANDLE

(A)=YSR1080C-S

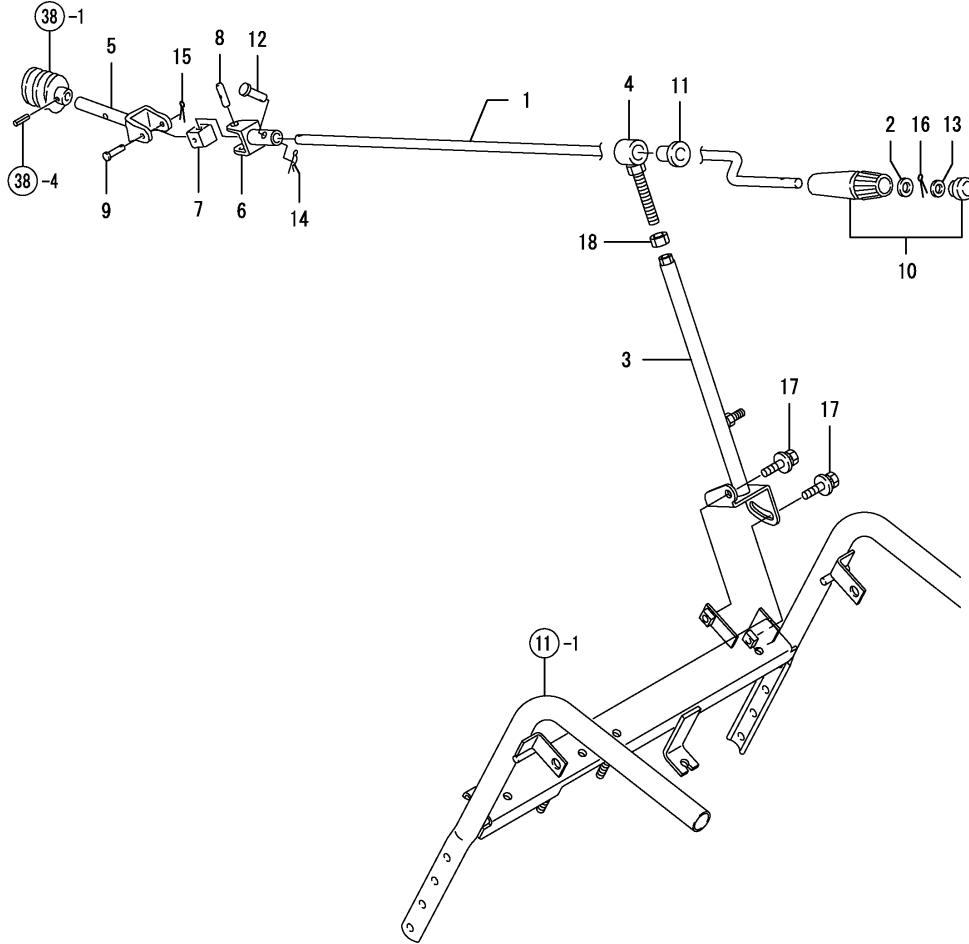
(B)=

(C)=

(D)=

(E)=

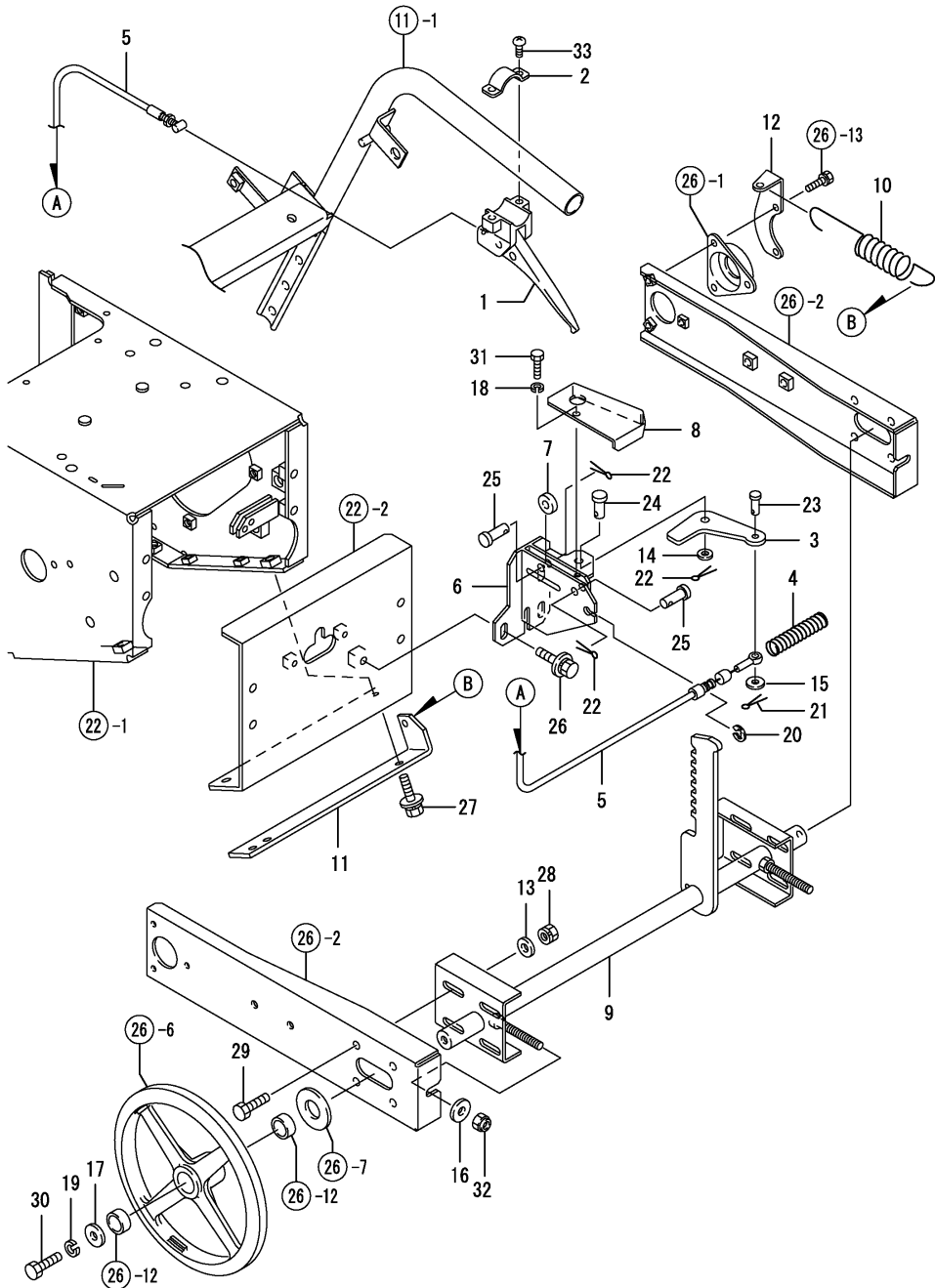
(F)=



REF.	LEV.	PARTS NO.	DESCRIPTION	Q'TY						I	R
				(A)	(B)	(C)	(D)	(E)	(F)		
1	1	1N3390-34350	HANDLE, CHUTE	1							
2	1	1N3021-34390	SPACER 10X14X1	1							
3	1	1N3390-34500	STAY,CHUTE HANDLE	1							
4	1	1N3390-34530	SUPPORT,HANDLE	1							
5	1	1N3390-34600	ROD,CONNECTION	1							
6	1	1N3330-34651	JOINT, CONNECTING	1							
7	1	1N3330-34700	JOINT FULCRUM	1							
8	1	1N3021-34710	JOINT FULCRUM,PIN 8	1							
9	1	1N3021-34720	RIVET 4X27.5	1							
10	1	1N1711-35520	GRIP,SHOOT	1							
11	1	1F5300-43300	BUSH 1015	1							
12	1	1N3260-73250	RIVET 4X19.5	1							
13	1	22137-060000	WASHER 6, POLISHED	1							
14	1	22372-040000	SNAP PIN 4	1							
15	1	22417-200100	COTTER PIN 2.0X10	1							
16	1	22417-200160	COTTER PIN 2.0X16	1							
17	1	26018-080164	BOLT M 8X 16	2							
18	1	26717-080002	NUT 8	1							



Fig.21. LIFTING



(A)=YSR1080C-S

(B)=

(C)=

(D)=

(E)=

(F)=

REF.	LEV.	PARTS NO.	DESCRIPTION	QTY						I	R
				(A)	(B)	(C)	(D)	(E)	(F)		
1	1	1N3390-35000	LEVER,LIFT	1							
2	1	1N3390-35060	PLATE	1							
3	1	1N3390-35100-1	PLATE,STOPPER	1							
4	1	1N3390-35150	SPRING,15X70	1							
5	1	1N3390-35250	WIRE,LIFTING	1							
6	1	1N3390-35300-1	SUPPORT,LIFTING	1							
7	1	1N3390-35400	COLLER,GUIDE	1							
8	1	1N3390-35450	COVER,LIFT	1							
9	1	1N3400-35501	SHAFT, IDLER	1							
10	1	1N3390-35600	SPRING,LIFT	1							
11	1	1N3390-35650-1	STAY,SPRING A	1							
12	1	1N3390-35700-1	STAY,SPRING B	1							
13	1	22137-080000	WASHER 8, POLISHED	8							
14	1	22137-080000	WASHER 8, POLISHED	1							
15	1	22157-060000	WASHER 6	1							
16	1	22157-080000	WASHER 8	2							
17	1	22157-080000	WASHER 8	2							
18	1	22217-060000	SPRING WASHER 6	1							
19	1	22217-080000	SPRING WASHER 8	2							
20	1	22272-000060	CIRCLIP E- 6	1							
21	1	22417-160100	COTTER PIN	1							
22	1	22417-200160	COTTER PIN 2.0X16	3							
23	1	22487-060160	PIN 6X 16	1							
24	1	22487-080120	PIN 8X 12	1							
25	1	22487-080160	PIN 8X 16	2							
26	1	26018-080202	BOLT M 8X 20	3							
27	1	26018-080204	BOLT M 8X 20	2							
28	1	26051-080002	NUT M 8	8							
29	1	26116-080202	BOLT M 8X 20 PLATED	8							
30	1	26116-080252	BOLT M 8X 25 PLATED	2							
31	1	26117-060122	BOLT M 6X 12 PLATED	1							
32	1	26347-080002	U-NUT M 8	2							
33	1	26557-060252	SCREW M 6X 25	2							

Fig.22. CHASSIS FRAME

(A)=YSR1080C-S

(B)=

(C)=

(D)=

(E)=

(F)=

REF.	LEV.	PARTS NO.	DESCRIPTION	Q'TY						I	R
				(A)	(B)	(C)	(D)	(E)	(F)		
1	1	1N3910-36000	CHASSIS,	1							
2	1	1N3910-36100	CHASSIS, REAR	1							
3	1	1N3850-36200	PLATE, BOTTOM	1							
4	1	26018-060124	BOLT M 6X 12	7							
5	1	26018-080164	BOLT M 8X 16	2							

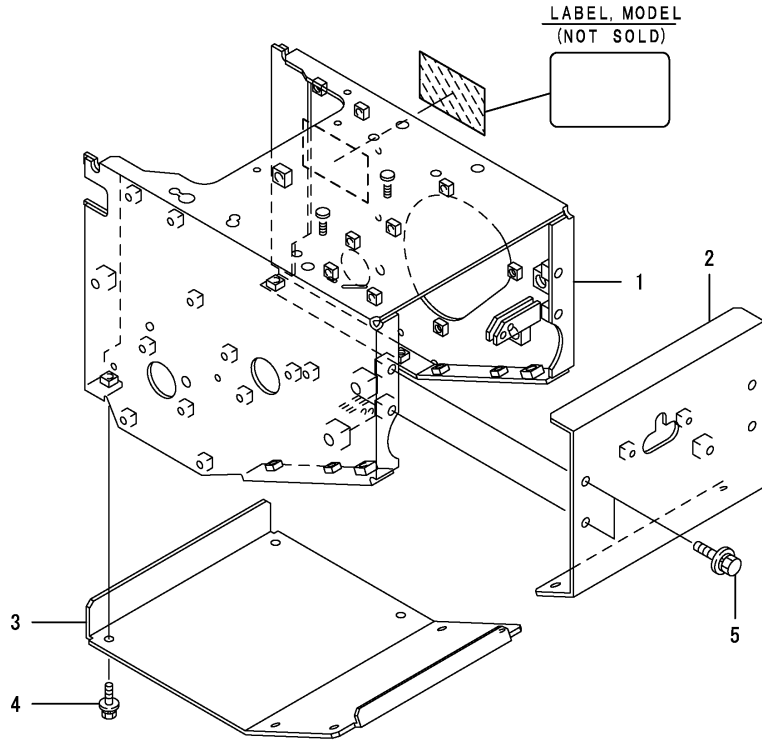


Fig.23. BELT COVER

(A)=YSR1080C-S

(B)=

(C)=

(D)=

(E)=

(F)=

REF.	LEV.	PARTS NO.	DESCRIPTION	QTY						I	R	
				(A)	(B)	(C)	(D)	(E)	(F)			
1	1	7N3910-37000	COVER, BELT PL	1								
2	1	1N3850-37100	COVER,	1								
3	1	26018-060124	BOLT M 6X 12	4								
4	1	26018-080164	BOLT M 8X 16	2								

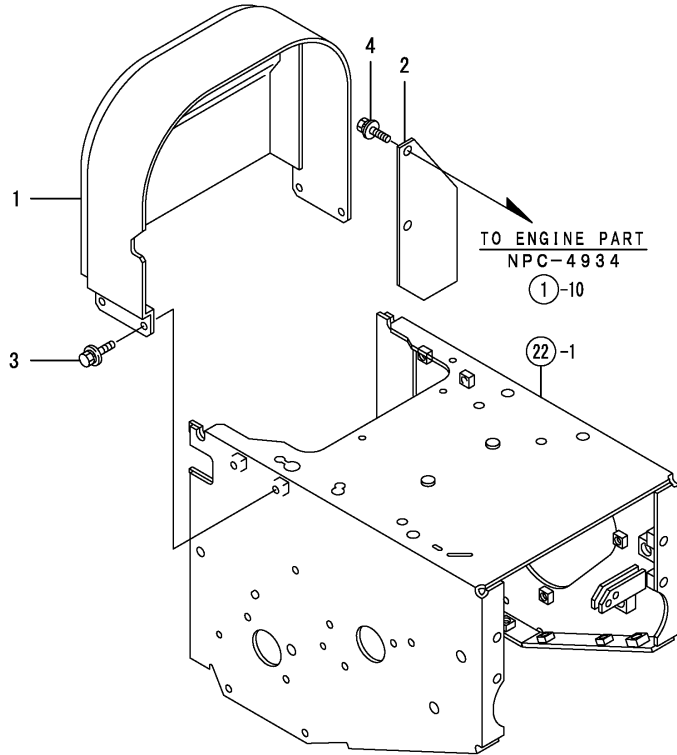


Fig.24. GEAR COVER

0CNP4-G93300 24. GEAR COVER

(A)=YSR1080C-S  
(B)=  
(C)=

(D)=  
(E)=  
(F)=

REF.	LEV.	PARTS NO.	DESCRIPTION	QTY						I	R	
				(A)	(B)	(C)	(D)	(E)	(F)			
1	1	1N3390-37100-1	COVER,GEAR	1								
2	1	26018-060124	BOLT M 6X 12	4								

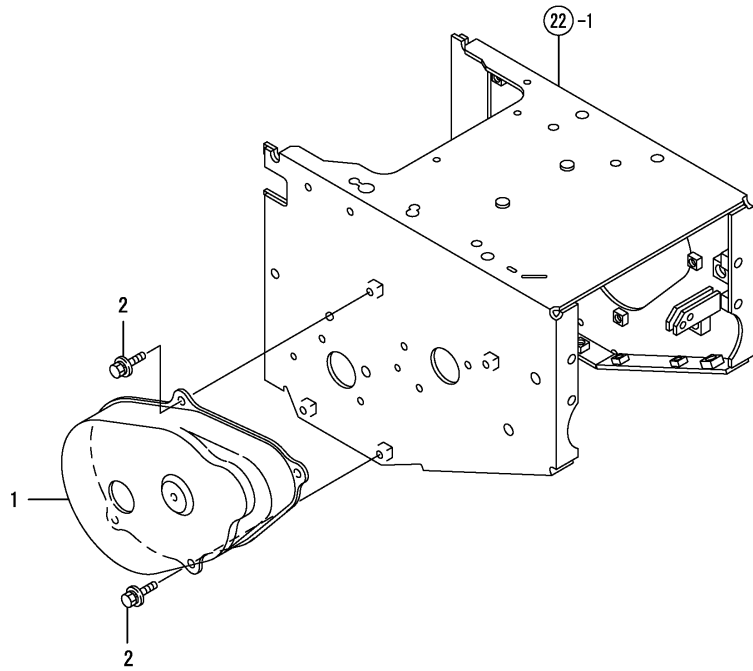




Fig.26. CRAWLER FRAME

(A)=YSR1080C-S

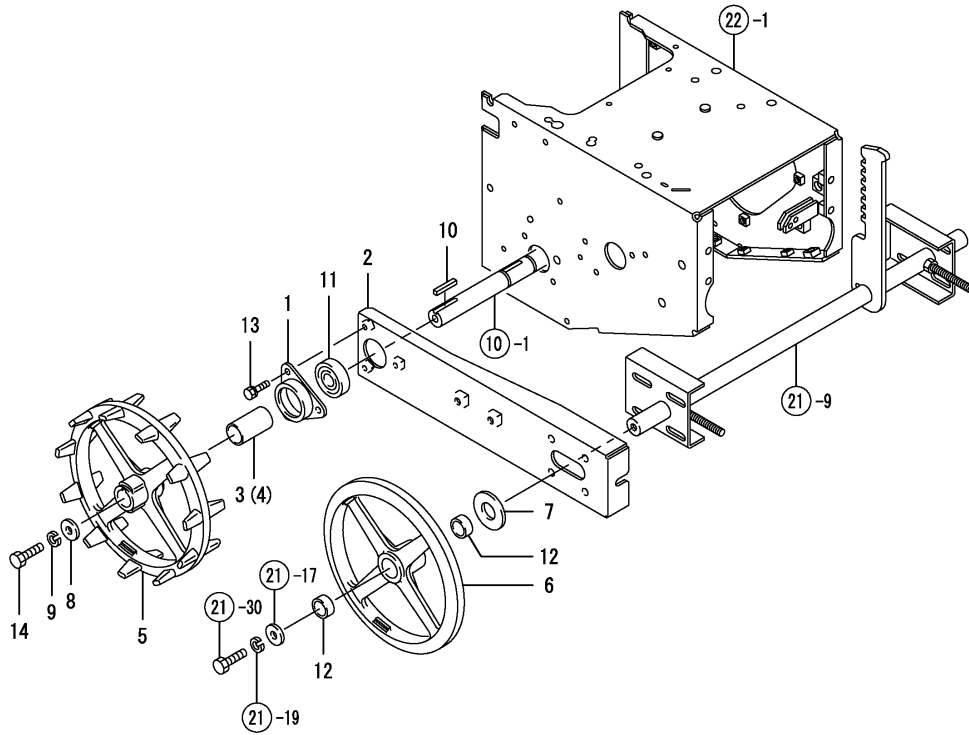
(B)=

(C)=

(D)=

(E)=

(F)=



REF.	LEV.	PARTS NO.	DESCRIPTION	QTY						I	R
				(A)	(B)	(C)	(D)	(E)	(F)		
1	1	1N3300-25100	JOINT 6004	2							
2	1	1N3390-38200-1	FRAME,CRAWLER	2							
3	1	1N3400-38400	COLLAR 20X25X44.7	1							
4	1	1N3400-38450	COLLAR,20X25X73	1							
5	1	1N1723-38500-1	SPROCKET, 11-43	2							
6	1	1N3021-38600-1	WHEEL	2							
7	1	22137-200000	WASHER 20,POLISHED	2							
8	1	22157-080000	WASHER 8	2							
9	1	22217-080000	SPRING WASHER 8	2							
10	1	22550-050300	KEY 5X30	2							
11	1	24104-060044	BALL BEARING	2							
12	1	24550-020100	BUSH	4							
13	1	26016-060162	BOLT M 6X 16	6							
14	1	26116-080252	BOLT M 8X 25 PLATED	2							



Fig.28. BATTERY

(A)=YSR1080C-S

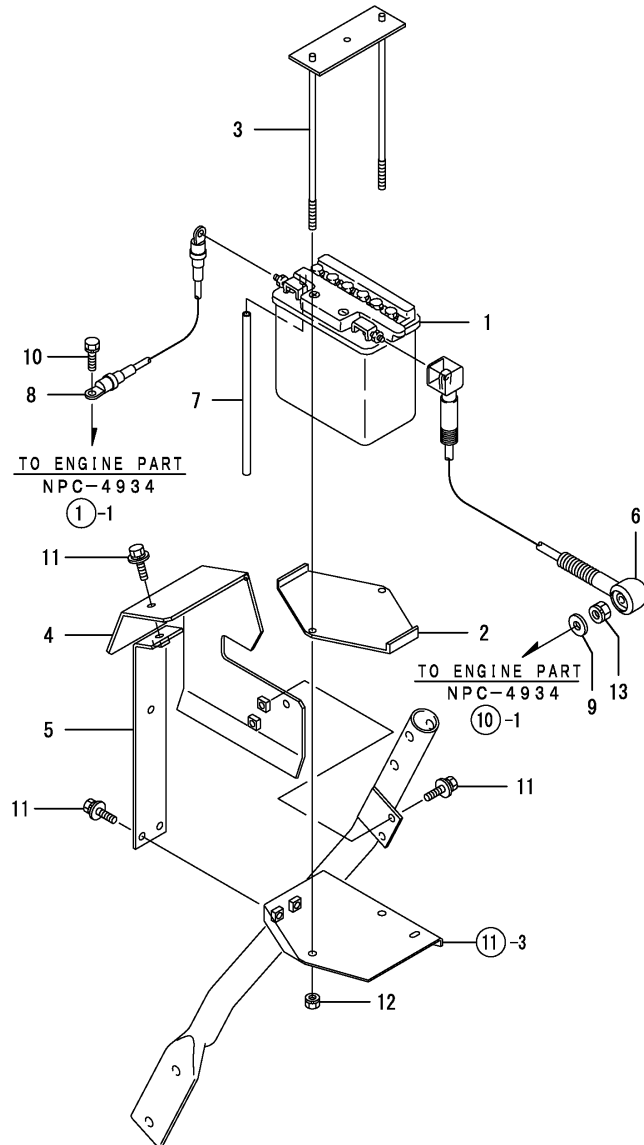
(B)=

(C)=

(D)=

(E)=

(F)=



REF.	LEV.	PARTS NO.	DESCRIPTION	QTY						I	R
				(A)	(B)	(C)	(D)	(E)	(F)		
1	1	1N3300-51010	BATTERY YB12AL-A	1							
2	1	1N3850-51100	GUIDE, BATTERY	1							
3	1	1N3850-51150	RETAINER, BATTERY	1							
4	1	1N3850-51200	COVER, BATTERY	1							
5	1	1N3850-51250	STAY, BATTERY	1							
6	1	1N3850-51300	CABLE, PLUS	1							
7	1	1N1710-51350	PIPE, VINYL	1							
8	1	1N3850-51350	CABLE, MINUS	1							
9	1	22137-080000	WASHER 8, POLISHED	1							
10	1	26016-080164	BOLT M 8X 16	1							
11	1	26018-060164	BOLT M 6X 16	5							
12	1	26051-060002	NUT M 6	2							
13	1	26051-080002	NUT M 8	1							



Fig.29. HARNESS

(A)=YSR1080C-S

(B)=

(C)=

(D)=

(E)=

(F)=

REF.	LEV.	PARTS NO.	DESCRIPTION	Q'TY						I	R
				(A)	(B)	(C)	(D)	(E)	(F)		
1	1	1N3910-51500	HARNESS,	1							
2	1	1E8665-83180	FUSE, 20A	1							
3	1	1E6102-84960	BAND 250,WIRE LOCK	2							
4	1	1E6102-84970	BAND 140,WIRE LOCK	3							

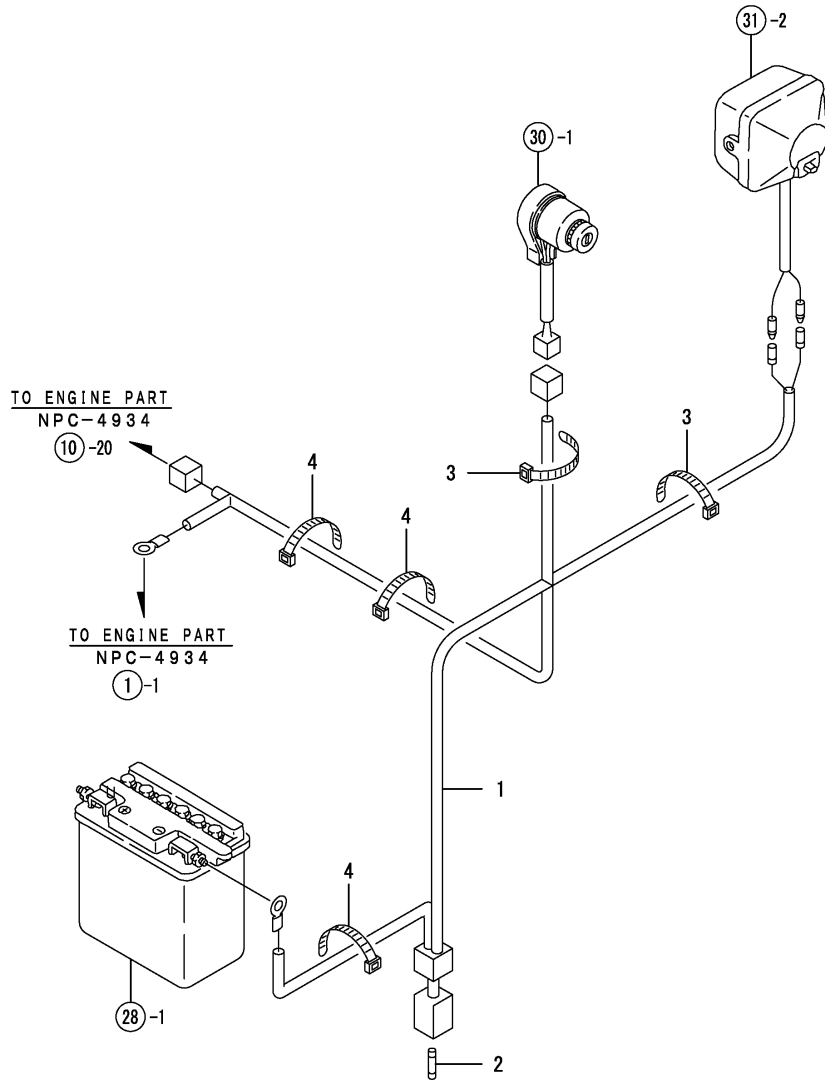


Fig.30. SWITCH

0CNP4-G93300 30. SWITCH

(A)=YSR1080C-S  
(B)=  
(C)=

(D)=  
(E)=  
(F)=

REF.	LEV.	PARTS NO.	DESCRIPTION	Q'TY						I	R
				(A)	(B)	(C)	(D)	(E)	(F)		
1	1	1N3021-52300	SWITCH ASSY.,KEY	1							
2	2	160797-77270	KEY, REVERSE	1							

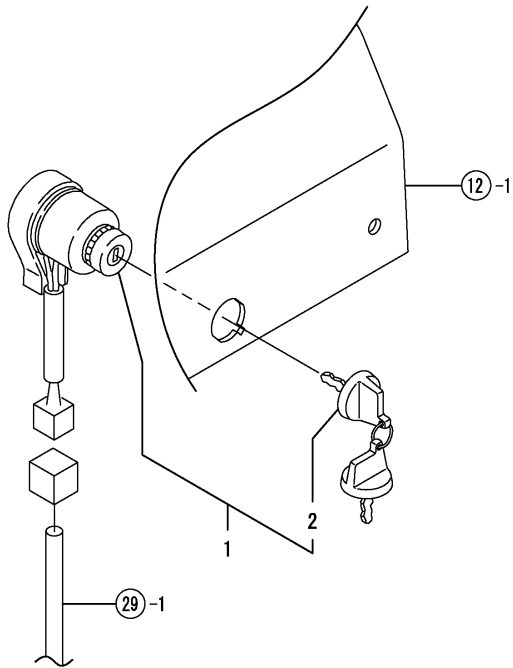


Fig.31. LAMP

(A)=YSR1080C-S

(B)=

(C)=

(D)=

(E)=

(F)=

REF.	LEV.	PARTS NO.	DESCRIPTION	Q'TY						I	R
				(A)	(B)	(C)	(D)	(E)	(F)		
1	1	1N3400-51450	STAY,LIGHT	1							
2	1	1N1711-51850	HEADLIGHT COMPL.	1							
3	2	1N1711-51860	LAMP 12V-15W G23	1							
4	1	26051-080002	NUT M 8	1							

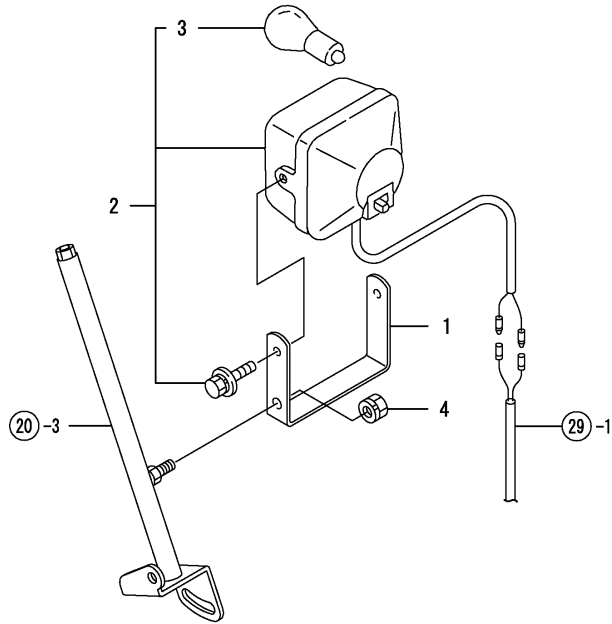


Fig.32. AUGER FRAME

(A)=YSR1080C-S

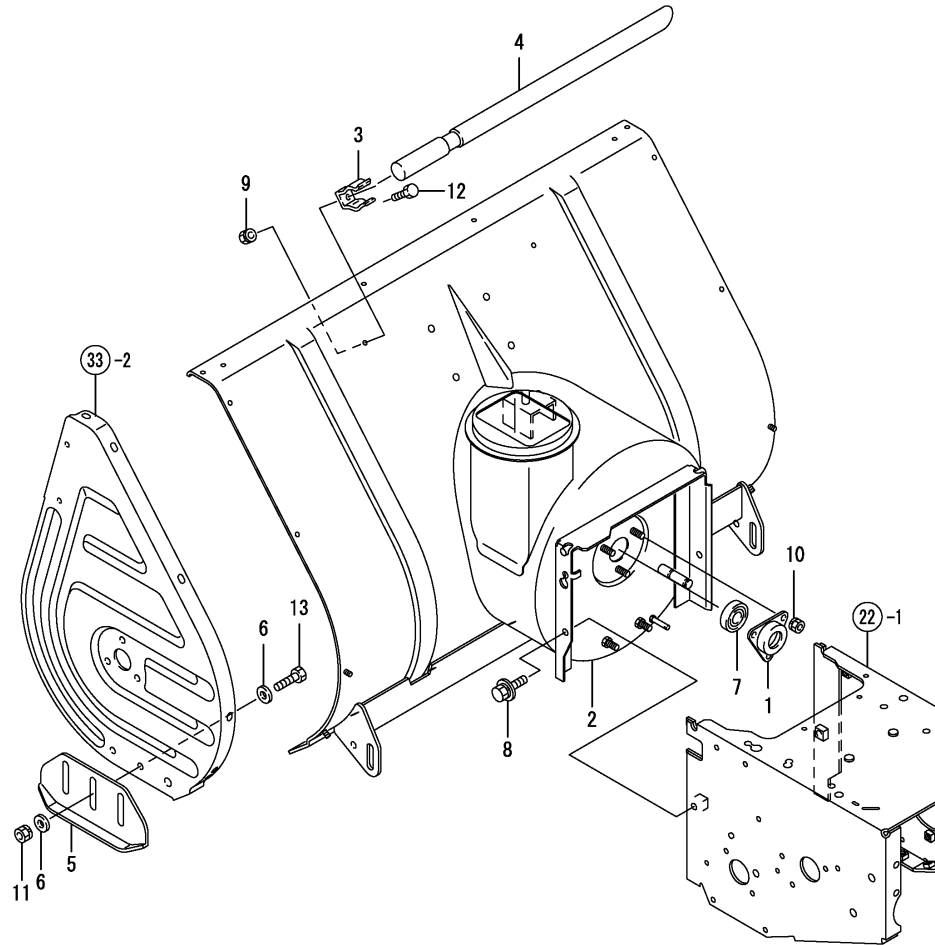
(B)=

(C)=

(D)=

(E)=

(F)=



REF.	LEV.	PARTS NO.	DESCRIPTION	QTY						I	R
				(A)	(B)	(C)	(D)	(E)	(F)		
1	1	1N1570-38210	BEARING 6203B	1							
2	1	1N3930-71000	FRAME, WORK	1							
3	1	1N1710-71062	STOPPER	2							
4	1	1N1710-71072	ROD, SNOW SHOVELING	1							
5	1	1N3300-71401	SHOE	2							
6	1	22137-080000	WASHER 8, POLISHED	8							
7	1	24104-062034	BALL BEARING	1							
8	1	26018-080202	BOLT M 8X 20	2							
9	1	26051-060002	NUT M 6	2							
10	1	26051-080002	NUT M 8	3							
11	1	26051-080002	NUT M 8	4							
12	1	26117-060122	BOLT M 6X 12 PLATED	2							
13	1	26117-080202	BOLT M 8X 20 PLATED	4							

Fig.33. AUGER PLATE

(A)=YSR1080C-S

(B)=

(C)=

(D)=

(E)=

(F)=

REF.	LEV.	PARTS NO.	DESCRIPTION	Q'TY						I	R
				(A)	(B)	(C)	(D)	(E)	(F)		
1	1	1N1570-38200	BEARING 6203C	2							
2	1	1N3370-71300	PLATE L,AUGER SIDE	1							
3	1	1N3370-71350	PLATE R,AUGER SIDE	1							
4	1	22137-060000	WASHER 6, POLISHED	4							
5	1	24104-062034	BALL BEARING	2							
6	1	26016-080164	BOLT M 8X 16	6							
7	1	26018-060124	BOLT M 6X 12	6							
8	1	26051-060002	NUT M 6	4							

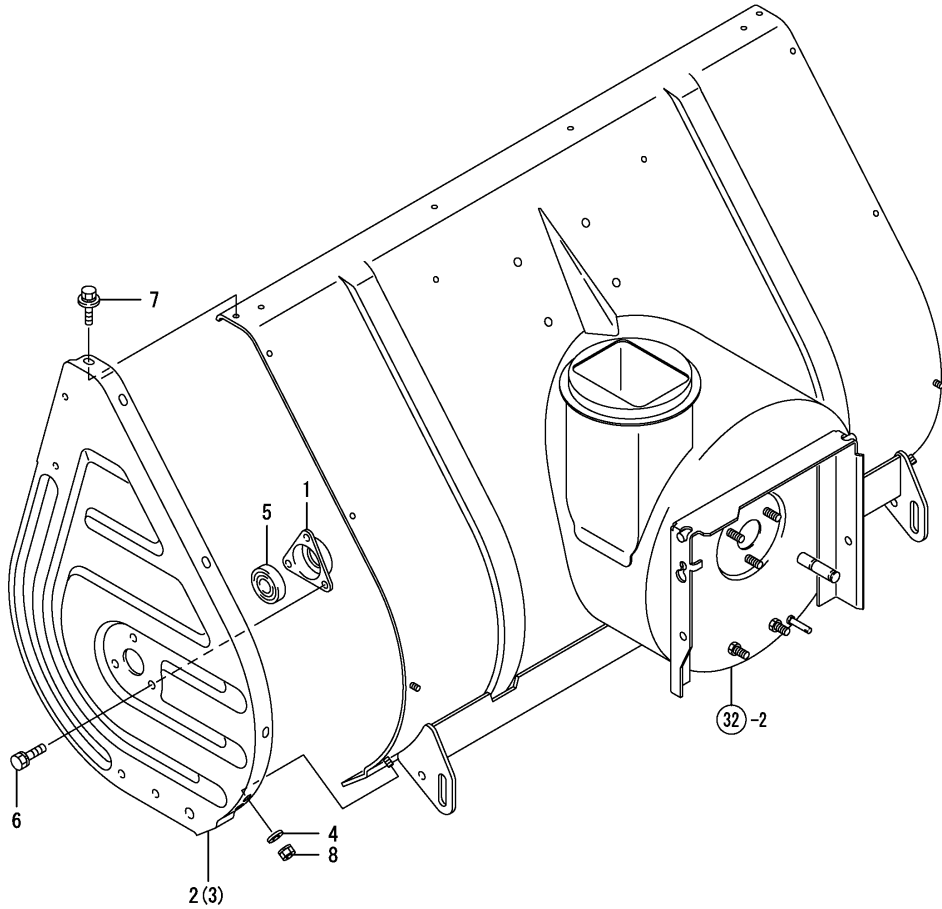




Fig.35. AUGER BOTTOM

(A)=YSR1080C-S

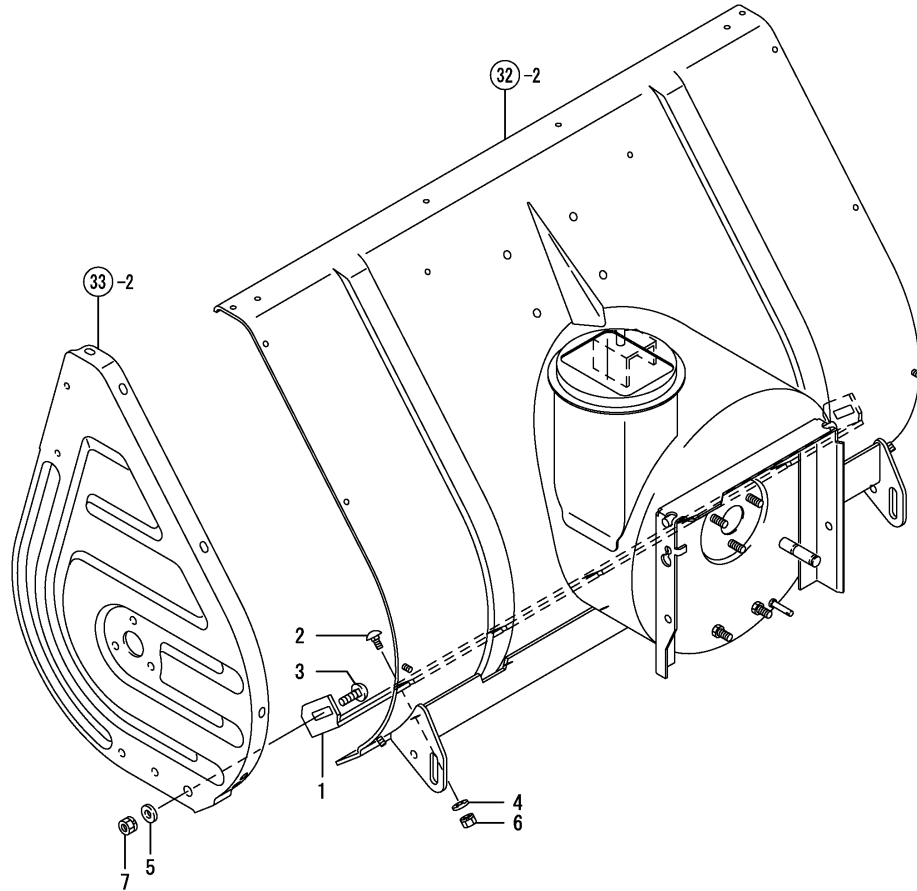
(B)=

(C)=

(D)=

(E)=

(F)=



REF.	LEV.	PARTS NO.	DESCRIPTION	Q'TY						I	R
				(A)	(B)	(C)	(D)	(E)	(F)		
1	1	1N3020-71301-1	PLATE,BOTTOM(800	1							
2	1	1N3300-71320	BOLT	5							
3	1	1N3300-71330	BOLT	2							
4	1	22137-060000	WASHER 6, POLISHED	5							
5	1	22157-080000	WASHER 8	2							
6	1	26051-060002	NUT M 6	5							
7	1	26051-080002	NUT M 8	2							

Fig.36. CHUTE

(A)=YSR1080C-S

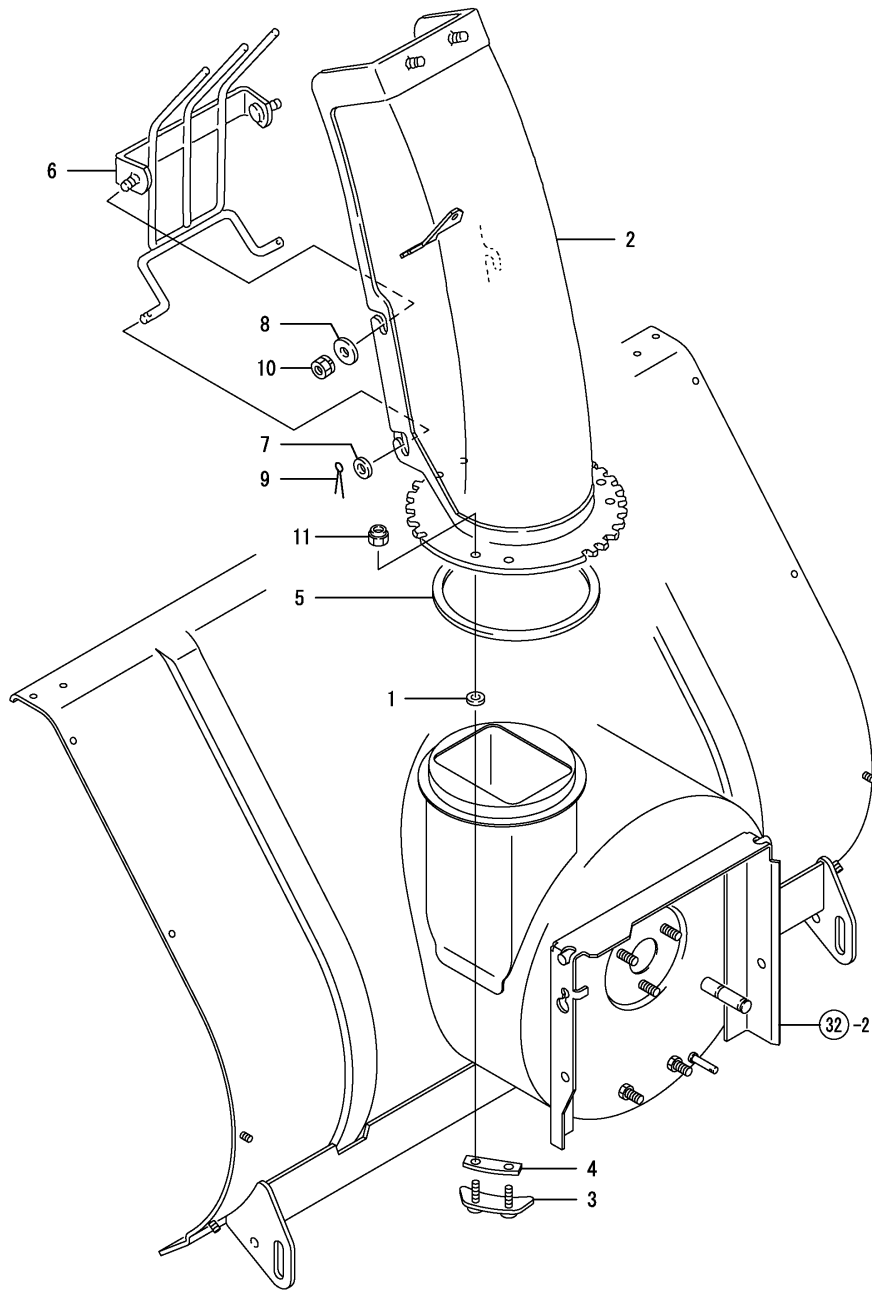
(B)=

(C)=

(D)=

(E)=

(F)=



REF.	LEV.	PARTS NO.	DESCRIPTION	QTY						I	R
				(A)	(B)	(C)	(D)	(E)	(F)		
1	1	1J3999-02160	WASHER	6							
2	1	7N3910-73000	CHUTE PL	1							
3	1	1N3021-73201	FIXTURE A,SHOOTER	3							
4	1	1N1711-73240	SPACER	3							
5	1	1N1711-73280	PLATE,FLOOR	1							
6	1	1N1960-73502	GUARD	1							
7	1	22137-060000	WASHER 6, POLISHED	2							
8	1	22157-060000	WASHER 6	2							
9	1	22417-200120	COTTER PIN 2.0X12	2							
10	1	26051-060002	NUT M 6	2							
11	1	26347-060002	U-NUT M 6	6							







Fig.39. GEAR CASE

(A)=YSR1080C-S

(B)=

(C)=

(D)=

(E)=

(F)=

REF.	LEV.	PARTS NO.	DESCRIPTION	Q'TY						I	R
				(A)	(B)	(C)	(D)	(E)	(F)		
1	1	1N3370-74000-1	CASE,SNOW REMV.GEAR	1							
2	1	1N3021-74010-1	COVER,SNOW RMV.GR.CS	1							
3	1	1N3021-74020	PACKING,SNOW RMV.CS.	1							
4	1	1N3021-74130	BOLT M14,DRAIN	1							
5	1	22190-080000	SEAL WASHER 8(BOLT)	1							
6	1	22190-140000	SEAL WASHER 14(BOLT)	1							
7	1	26016-060252	BOLT M 6X 25	5							
8	1	26107-080162	BOLT M 8X 16 PLATED	1							

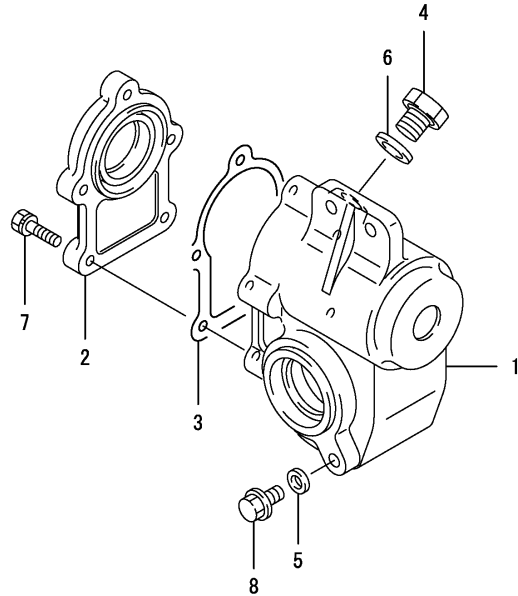


Fig.40. BLOWER SHAFT

0CNP4-G93300 40. BLOWER SHAFT

(A)=YSR1080C-S  
(B)=  
(C)=

(D)=  
(E)=  
(F)=

REF.	LEV.	PARTS NO.	DESCRIPTION	Q'TY						I	R
				(A)	(B)	(C)	(D)	(E)	(F)		
1	1	1N3021-74030	WORM 3L2	1							
2	1	1N3021-74080	COLLAR 18X25X20.5	1							
3	1	1N3371-74100	SHAFT, BLOWER	1							
4	1	22550-070300	KEY 7X30	1							
5	1	24101-060034	BALL BEARING	1							
6	1	24101-060044	BALL BEARING #6004	1							
7	1	24421-203508	SEAL, OIL	1							

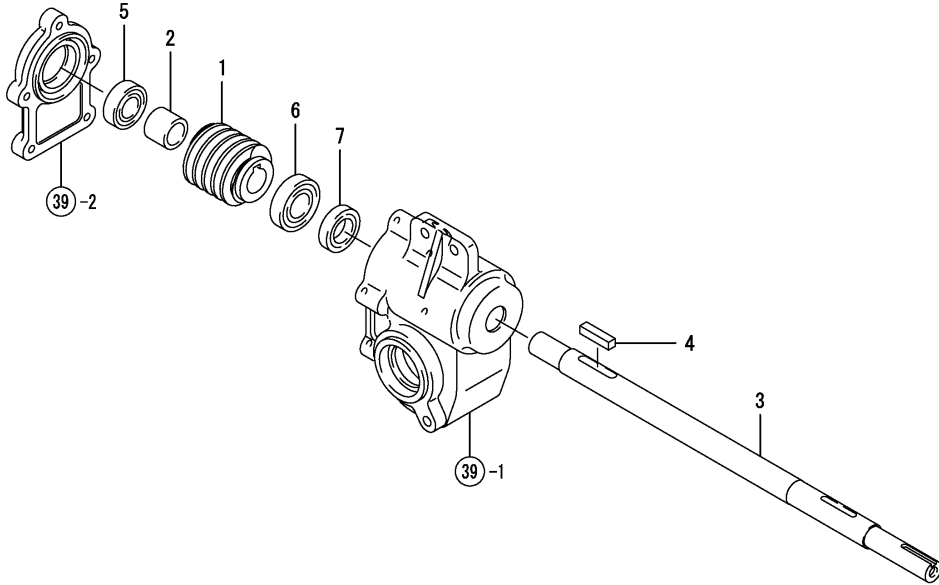


Fig.41. AUGER SHAFT

0CNP4-G93300 41. AUGER SHAFT

(A)=YSR1080C-S  
(B)=  
(C)=

(D)=  
(E)=  
(F)=

REF.	LEV.	PARTS NO.	DESCRIPTION	QTY						I	R	
				(A)	(B)	(C)	(D)	(E)	(F)			
1	1	1N3370-74040	WHEEL 3X20,WORM	1								
2	1	1N3410-74200	SHAFT,AUGER 800	1								
3	1	22252-000420	CIRCLIP 42	1								
4	1	22550-050300	KEY 5X30	1								
5	1	24101-060044	BALL BEARING #6004	2								
6	1	24421-204208	SEAL TC20 42 08, OIL	2								

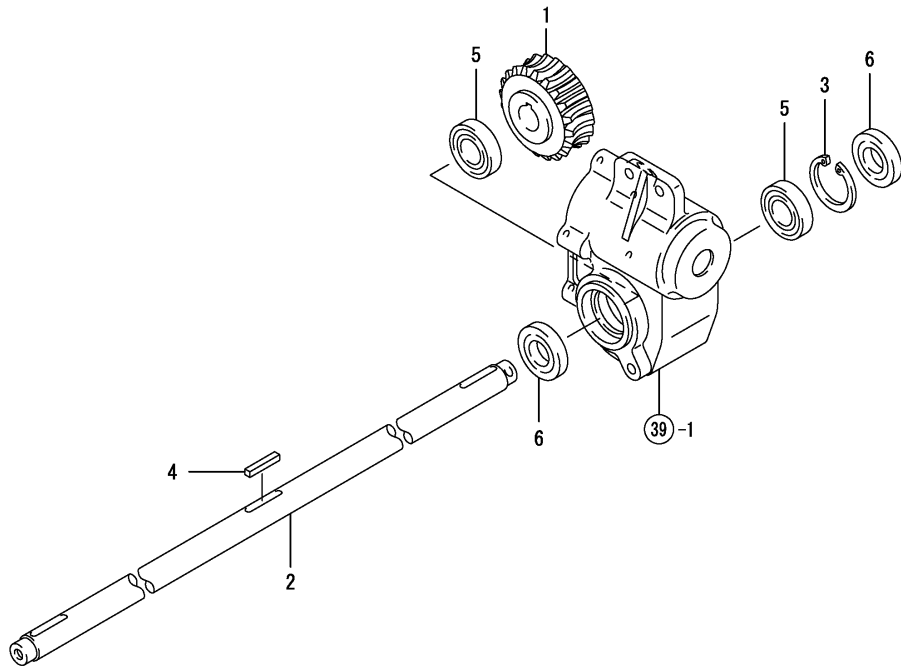


Fig.42. GEAR CASE SUPPORT

(A)=YSR1080C-S

(B)=

(C)=

(D)=

(E)=

(F)=

REF.	LEV.	PARTS NO.	DESCRIPTION	Q'TY						I	R
				(A)	(B)	(C)	(D)	(E)	(F)		
1	1	1N3021-74200-1	FIXTURE,GEAR CASE	1							
2	1	22137-080000	WASHER 8, POLISHED	8							
3	1	26018-080202	BOLT M 8X 20	2							
4	1	26051-080002	NUT M 8	4							
5	1	26117-080202	BOLT M 8X 20 PLATED	4							

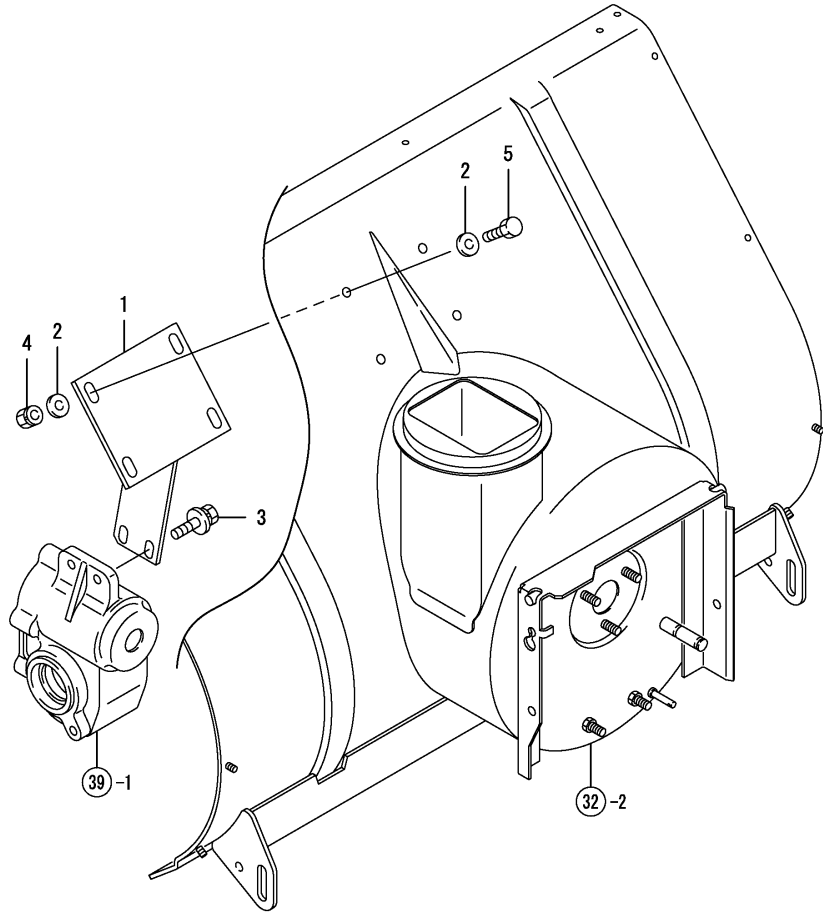


Fig.43. AUGER

(A)=YSR1080C-S  
(B)=  
(C)=

(D)=  
(E)=  
(F)=

REF.	LEV.	PARTS NO.	DESCRIPTION	QTY						I	R
				(A)	(B)	(C)	(D)	(E)	(F)		
1	1	1N3420-75000-1	AUGER, L	1							
2	1	1N3420-75100-1	AUGER, R	1							
3	1	1N3330-75200-1	FLANGE,AUGER	2							
4	1	22157-080000	WASHER 8	2							
5	1	22217-080000	SPRING WASHER 8	2							
6	1	22550-050300	KEY 5X30	2							
7	1	26116-060202	BOLT M 6X 20	2							
8	1	26116-080162	BOLT 8X16	2							
9	1	26116-080252	BOLT M 8X 25 PLATED	2							
10	1	26347-060002	U-NUT M 6	2							
11	1	26717-080002	NUT 8	2							

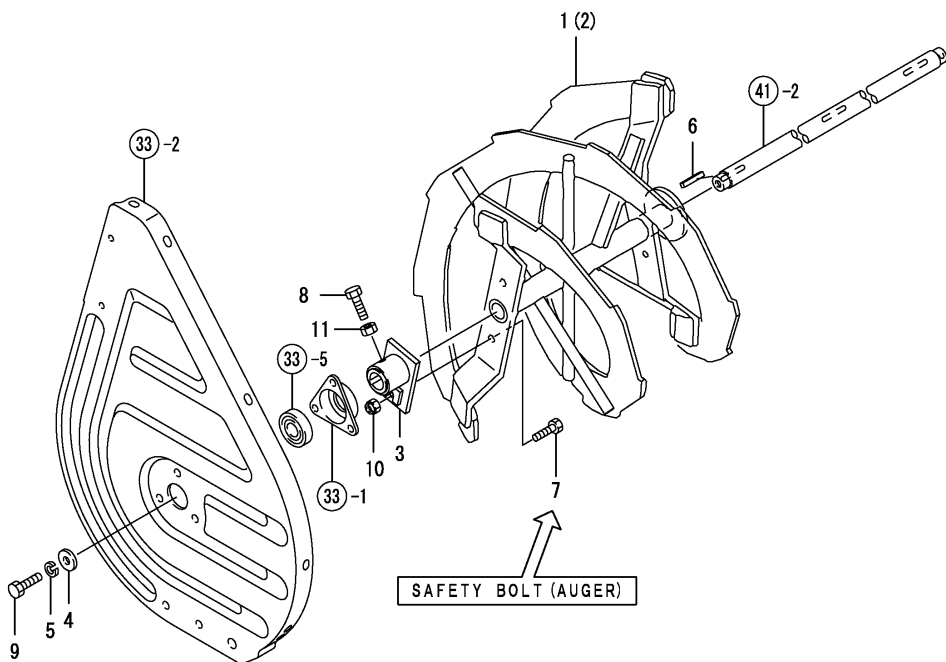


Fig.44. BLOWER

(A)=YSR1080C-S  
(B)=  
(C)=

(D)=  
(E)=  
(F)=

REF.	LEV.	PARTS NO.	DESCRIPTION	Q'TY						I	R
				(A)	(B)	(C)	(D)	(E)	(F)		
1	1	1N3370-76000-1	BLOWER ASSY	1							
2	1	22550-050300	KEY 5X30	1							
3	1	26116-080202	BOLT M 8X 20 PLATED	1							
4	1	26717-080002	NUT 8	1							

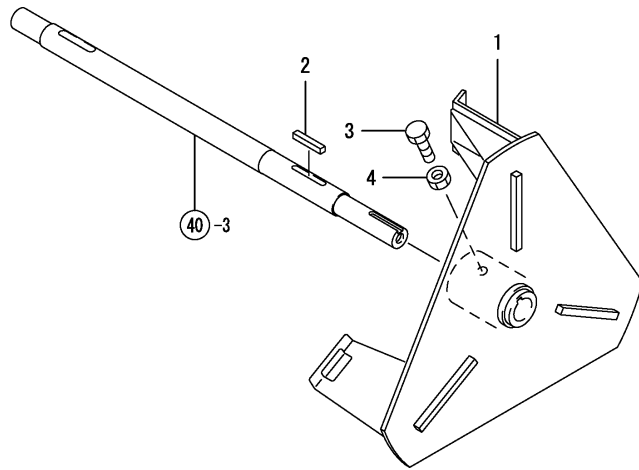




Fig.45. LABEL

(A)=YSR1080C-S

(B)=

(C)=

(D)=

(E)=

(F)=

REF.	LEV.	PARTS NO.	DESCRIPTION	QTY						I	R
				(A)	(B)	(C)	(D)	(E)	(F)		
1	1	1N1711-68190	MARK C YANMAR	2							
2	1	1N1711-68220	MARK,OIL CHECK	1							
3	1	1N3930-91050	LABEL, MODEL	1							
4	1	1N3910-91090	LABEL, SWITCH	1							
5	1	1N3910-91100	LABEL, TRAVEL	1							
6	1	1N3910-91110	LABEL, WORK	1							
7	1	1N3300-91300	MARK, SOUND LEVEL	1							
8	1	1N3910-91300	LABEL, LIFT	1							

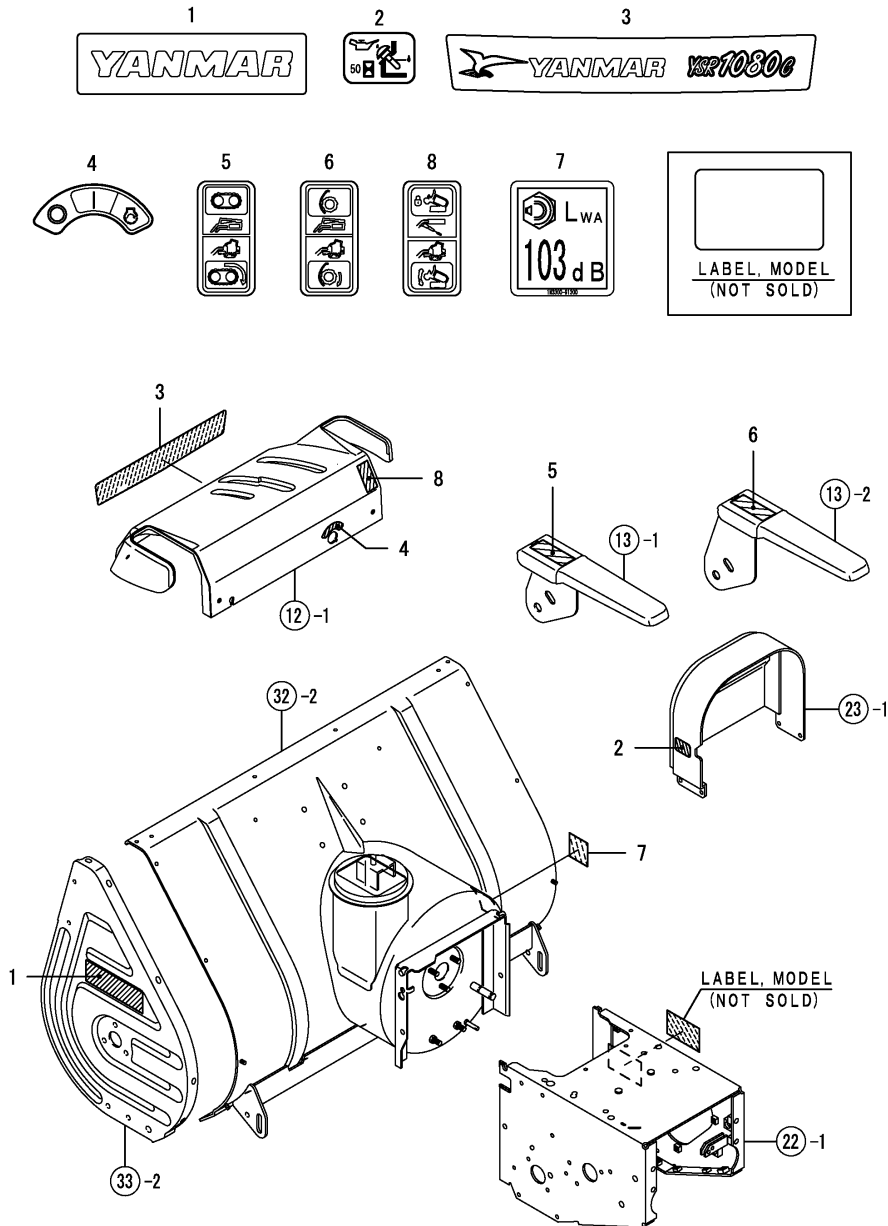


Fig.46. LABEL (SAFETY)

(A)=YSR1080C-S

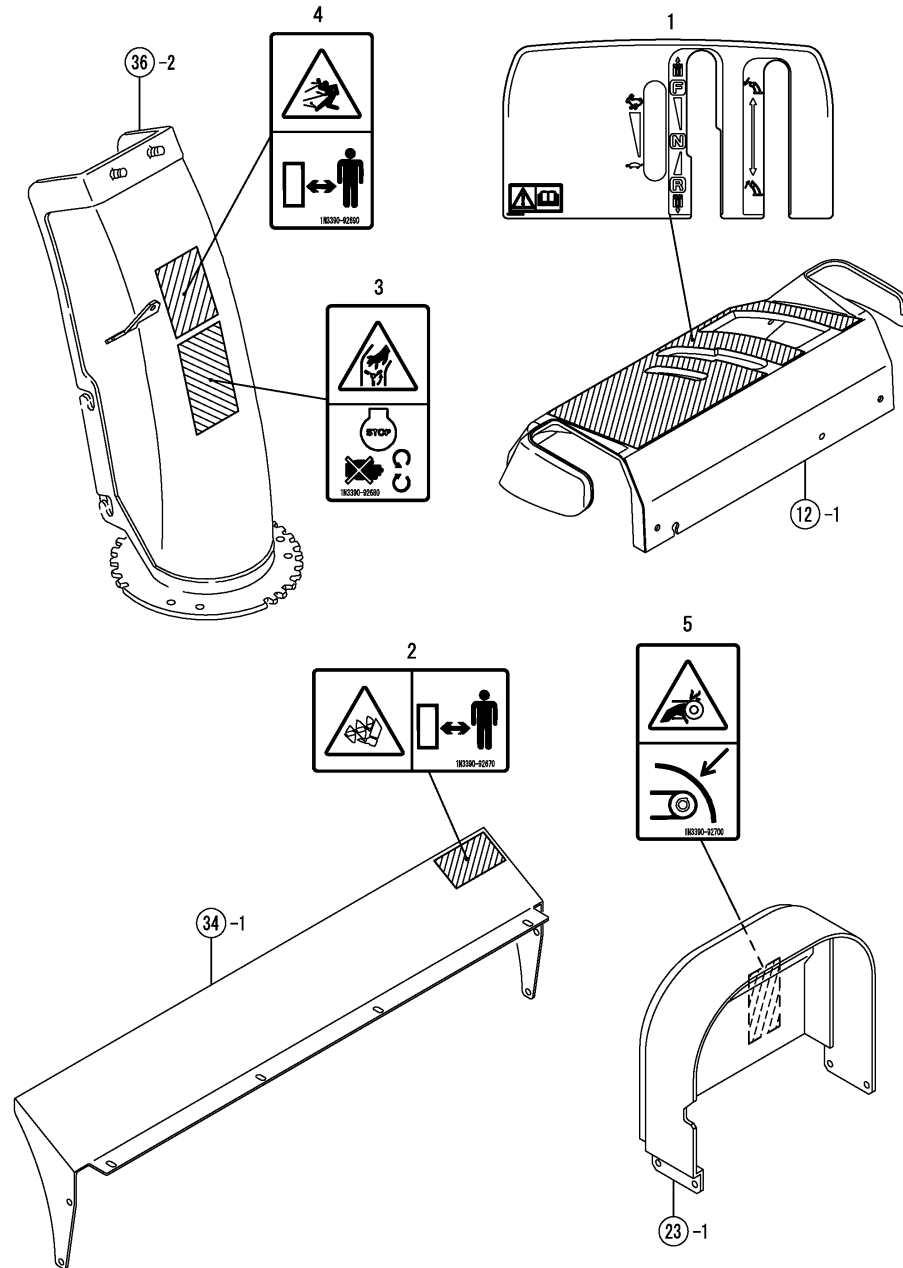
(B)=

(C)=

(D)=

(E)=

(F)=



REF.	LEV.	PARTS NO.	DESCRIPTION	QTY						I	R	
				(A)	(B)	(C)	(D)	(E)	(F)			
1	1	1N3910-91250	LABEL, OPERATION	1								
2	1	1N3390-92670	LABEL, DANGER	1								
3	1	1N3390-92680	LABEL, WARNING	1								
4	1	1N3390-92690	LABEL, WARNING	1								
5	1	1N3390-92700	LABEL, CAUTION	1								

Fig.47. TOOLS

(A)=YSR1080C-S  
(B)=  
(C)=

(D)=  
(E)=  
(F)=

REF.	LEV.	PARTS NO.	DESCRIPTION	Q'TY						I	R
				(A)	(B)	(C)	(D)	(E)	(F)		
1	1	160120-92700	SPANNER, BOX	1							
2	1	28160-100120	WRENCH 10X12	1							

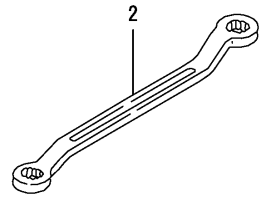
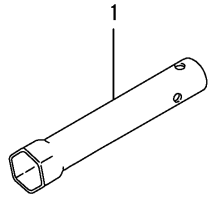


Fig.48. ACCESSORY

(A)=YSR1080C-S

(B)=

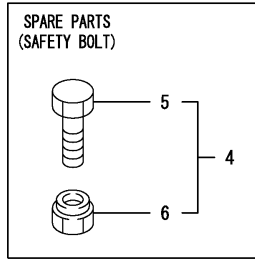
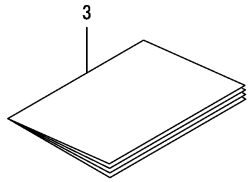
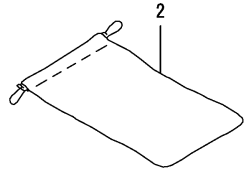
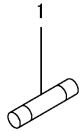
(C)=

(D)=

(E)=

(F)=

REF.	LEV.	PARTS NO.	DESCRIPTION	Q'TY						I	R
				(A)	(B)	(C)	(D)	(E)	(F)		
1	1	1E8665-83180	FUSE, 20A	1							
2	1	1F1150-92000	BAG,TOOL	1							
3	1	1N3910-96000	MANUAL, INSTRUCTION	1							
4	1	7N1711-01000	SHEAR BOLT SET 6X20	10							1
5	2	26116-060202	BOLT M 6X 20	10							1
6	2	26347-060002	U-NUT M 6	10							1



Remarks

(1) IT IS A SPARE PART FOR SAFETY BOLT, GROUP NO.43, REF. NO.7.

## Part Number Index

All parts are stipulated in the order of part numbers.

(Depending on the area in which the part is used.)

This index will display the location of the part according to each part number.

## PARTS No. INDEX

PARTS No.	Fig.	Ref.No.
160120-92700	47	1
160797-77270	30	2
195385-35870	3	7
	16	7
	19	5
198273-01230	3	1
1A1102-57100	19	7
1C7100-48250	16	8
	19	6
1E4760-43090	18	8
1E6102-84960	29	3
1E6102-84970	29	4
1E6740-64200	18	9
1E7030-51302-1	4	9
1E8665-83180	29	2
	48	1
	16	9
1F1150-23140	9	7
1F1150-92000	48	2
1F5300-43300	20	11
1J3999-02010	1	6
1J3999-02160	36	1
1J3999-07000	14	1
	19	1
1N1570-21200	8	3
1N1570-21300	8	5
1N1570-21600	9	1
1N1570-32950	18	7
1N1570-38200	33	1
1N1570-38210	32	1
1N1710-32600	1	7
1N1710-51350	28	7
1N1710-71062	32	3
1N1710-71072	32	4
1N1710-82140	11	4
1N1711-35520	20	10
1N1711-51850	31	2
1N1711-51860	31	3
1N1711-68190	45	1
1N1711-68220	45	2
1N1711-73170	37	1
1N1711-73240	36	4
1N1711-73280	36	5
1N1723-00331	1	5
1N1723-38500-1	26	5
1N1960-73502	36	6
1N3020-71301-1	35	1
1N3021-00250	1	4
1N3021-11240-1	4	4
1N3021-12050	7	2

PARTS No.	Fig.	Ref.No.
1N3021-31580	14	8
	17	1
1N3021-34390	20	2
1N3021-34710	20	8
1N3021-34720	20	9
1N3021-38600-1	26	6
1N3021-52300	30	1
1N3021-73201	36	3
1N3021-74010-1	39	2
1N3021-74020	39	3
1N3021-74030	40	1
1N3021-74080	40	2
1N3021-74130	39	4
1N3021-74200-1	42	1
1N3260-73250	20	12
1N3300-23050	9	3
1N3300-23120	9	6
1N3300-25100	10	2
	26	1
1N3300-32500-1	18	4
1N3300-51010	28	1
1N3300-71320	35	2
1N3300-71330	35	3
1N3300-71401	32	5
1N3300-91300	45	7
1N3310-23200	9	9
1N3320-71290	4	11
1N3330-21300	8	6
1N3330-21400	8	9
1N3330-34651	20	6
1N3330-34700	20	7
1N3330-75200-1	43	3
1N3360-38000	25	1
1N3370-00200-1	1	3
1N3370-01000-1	2	1
1N3370-11050	4	2
1N3370-11271	4	6
1N3370-38500-1	27	1
1N3370-71300	33	2
1N3370-71350	33	3
1N3370-74000-1	39	1
1N3370-74040	41	1
1N3370-76000-1	44	1
1N3371-74100	40	3
1N3390-23000	9	2
1N3390-23300	9	10
1N3390-23400	9	11
1N3390-34350	20	1
1N3390-34500	20	3
1N3390-34530	20	4

PARTS No.	Fig.	Ref.No.
1N3390-34600	20	5
1N3390-35000	21	1
1N3390-35060	21	2
1N3390-35100-1	21	3
1N3390-35150	21	4
1N3390-35250	21	5
1N3390-35300-1	21	6
1N3390-35400	21	7
1N3390-35450	21	8
1N3390-35600	21	10
1N3390-35650-1	21	11
1N3390-35700-1	21	12
1N3390-37100-1	24	1
1N3390-38200-1	26	2
1N3390-73300	38	1
1N3390-73350	38	2
1N3390-92670	46	2
1N3390-92680	46	3
1N3390-92690	46	4
1N3390-92700	46	5
1N3400-02200-1	3	4
1N3400-21300	8	7
1N3400-23180	9	8
1N3400-25000	10	1
1N3400-32350-1	18	3
1N3400-35501	21	9
1N3400-38400	26	3
1N3400-38450	26	4
1N3400-51450	31	1
1N3410-74200	41	2
1N3420-75000-1	43	1
1N3420-75100-1	43	2
1N3440-21300	14	2
1N3840-12050	6	1
1N3840-21000	8	1
1N3840-21100	8	2
1N3840-21200	8	4
1N3840-21410	8	10
1N3840-21450	8	11
1N3840-23100	9	4
1N3840-23400	9	12
1N3840-32000	16	1
1N3840-32300	18	2
1N3840-32301	18	2 -1
1N3840-32600	18	5
1N3840-32650	18	6
1N3850-00060	1	1
1N3850-00150	1	2
1N3850-02100	3	2
1N3850-02200	3	5

PARTS No.	Fig.	Ref.No.
1N3850-11000	4	1
1N3850-11100	4	3
1N3850-11250	4	5
1N3850-11270	4	7
1N3850-11300	4	8
1N3850-12000	5	1
1N3850-12010	7	1
1N3850-12100	5	2
1N3850-12150	5	3
1N3850-12200	7	3
1N3850-21300	8	8
1N3850-23110	9	5
1N3850-30000	11	1
1N3850-30001	11	1 -1
1N3850-30002	11	1 -2
1N3850-30100	11	2
1N3850-30150	11	3
1N3850-30350	12	2
1N3850-30400	12	3
1N3850-31000	13	1
1N3850-31100	13	2
1N3850-31200	14	3
1N3850-31300	14	4
1N3850-31400	14	5
1N3850-31450	14	6
1N3850-31460	14	7
1N3850-31650	14	10
1N3850-31750	15	1
1N3850-31751	15	1 -1
1N3850-31800	15	2
1N3850-32050	16	2
1N3850-32100	16	3
1N3850-32150	16	4
	19	2
1N3850-32160	16	5
1N3850-32200	16	6
1N3850-32401	17	2
1N3850-34000	19	3
1N3850-34200	19	4
1N3850-36200	22	3
1N3850-37100	23	2
1N3850-51100	28	2
1N3850-51150	28	3
1N3850-51200	28	4
1N3850-51250	28	5
1N3850-51300	28	6
1N3850-51350	28	8
1N3910-02250	3	6
1N3910-31600	14	9
1N3910-31700	14	11

MODEL : YSR1080C  
PC NO : 0CNP4-G93300

## PARTS No. INDEX

PARTS No.	Fig.	Ref.No.
1N3910-31750	14	12
1N3910-32210	18	1
1N3910-36000	22	1
1N3910-36100	22	2
1N3910-51500	29	1
1N3910-73200	37	2
1N3910-73250	37	3
1N3910-91090	45	4
1N3910-91100	45	5
1N3910-91110	45	6
1N3910-91250	46	1
1N3910-91300	45	8
1N3910-96000	48	3
1N3920-02150	3	3
1N3930-71000	32	2
1N3930-91050	45	3
1S6000-61220	8	12
7N1711-01000	48	4
7N3910-30310	12	1
7N3910-37000	23	1
7N3910-73000	36	2
7N3930-71500	34	1

PARTS No.	Fig.	Ref.No.
-----------	------	---------

PARTS No.	Fig.	Ref.No.
-----------	------	---------

PARTS No.	Fig.	Ref.No.
-----------	------	---------



**YANMAR CO.,LTD.**